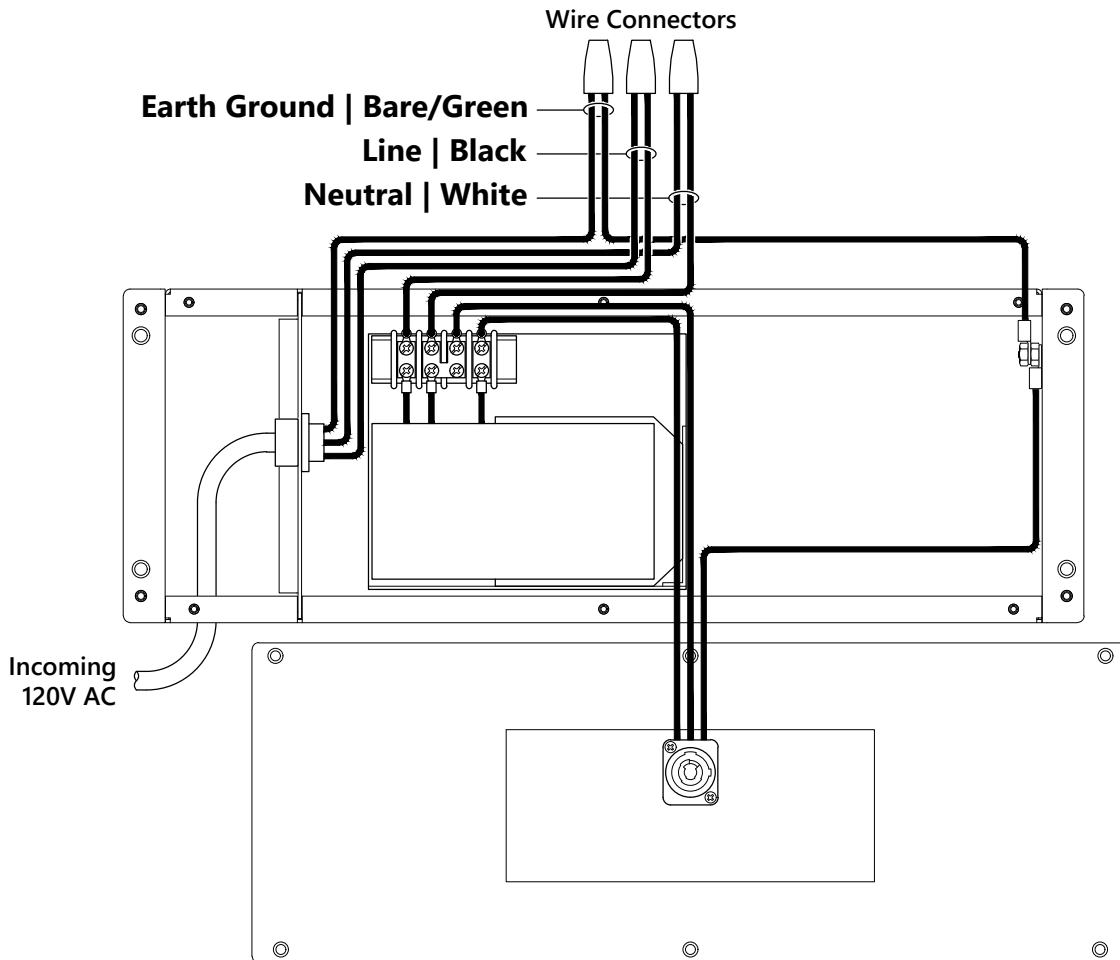
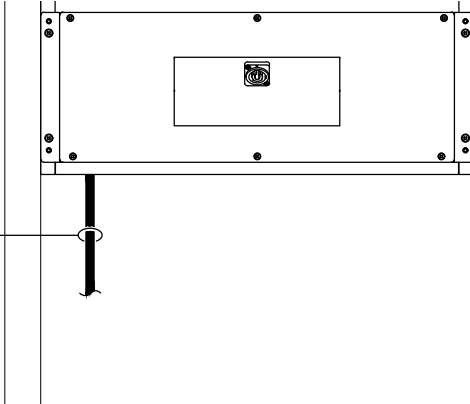


RKF - POWER - SURGE PROTECTION MODULE - 1 CIRCUIT

Provide 1 x 20A/120V AC dedicated electrical circuit to the knock-out located inside the power module, at the bottom left of the back box



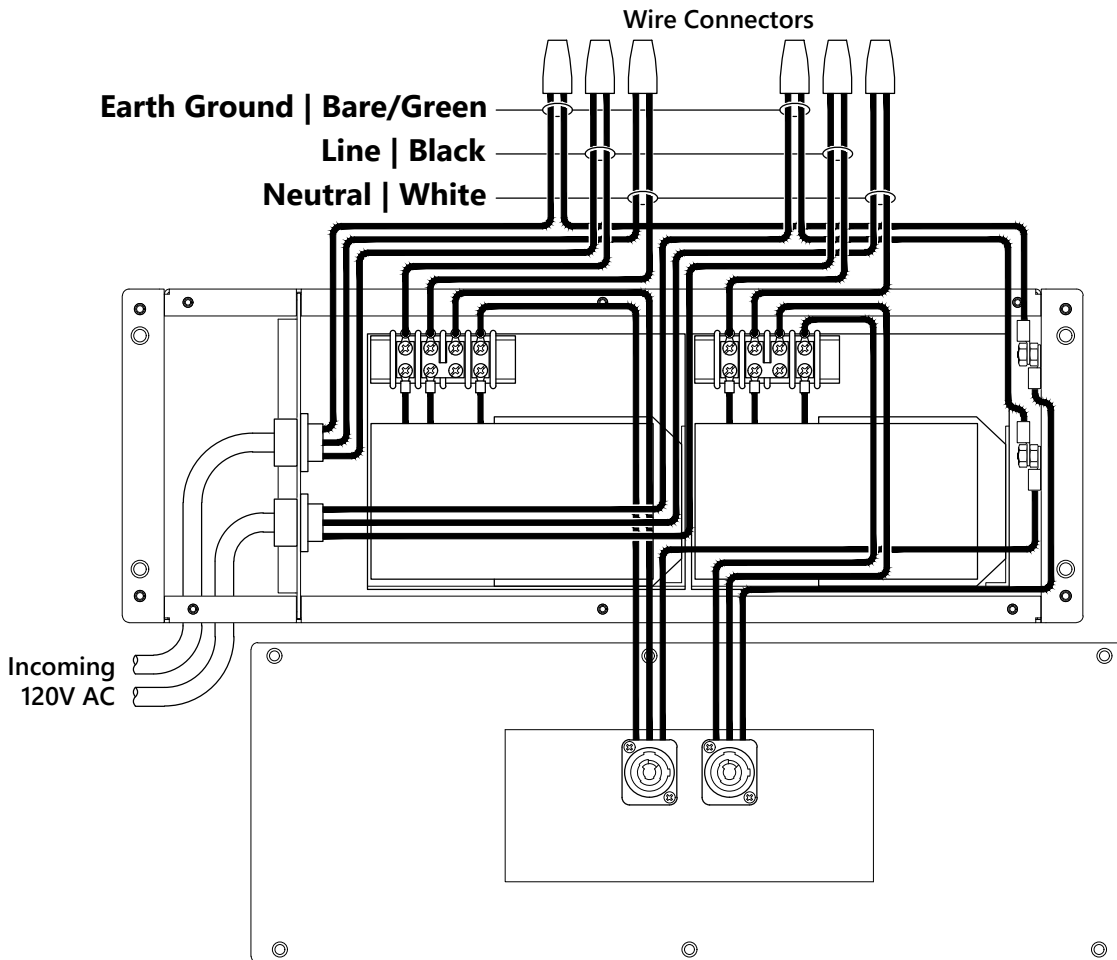
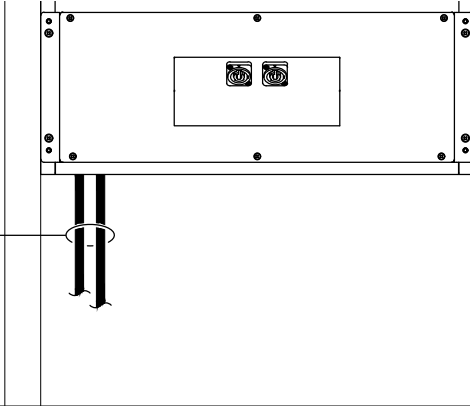
WARNING: This product must be installed by qualified service personnel and connected by a certified electrician in accordance with the applicable installation instructions, installation practices, and local building codes.



WARNING: Before proceeding, turn off electrical power at the circuit breaker or fuse and test that the power is off to avoid risk of fire, shock, and/or death.

RKF - POWER - SURGE PROTECTION MODULE - 2 CIRCUIT

Provide 2 x 20A/120V AC dedicated electrical circuits to the knock-outs located inside the power module, at the bottom left of the back box

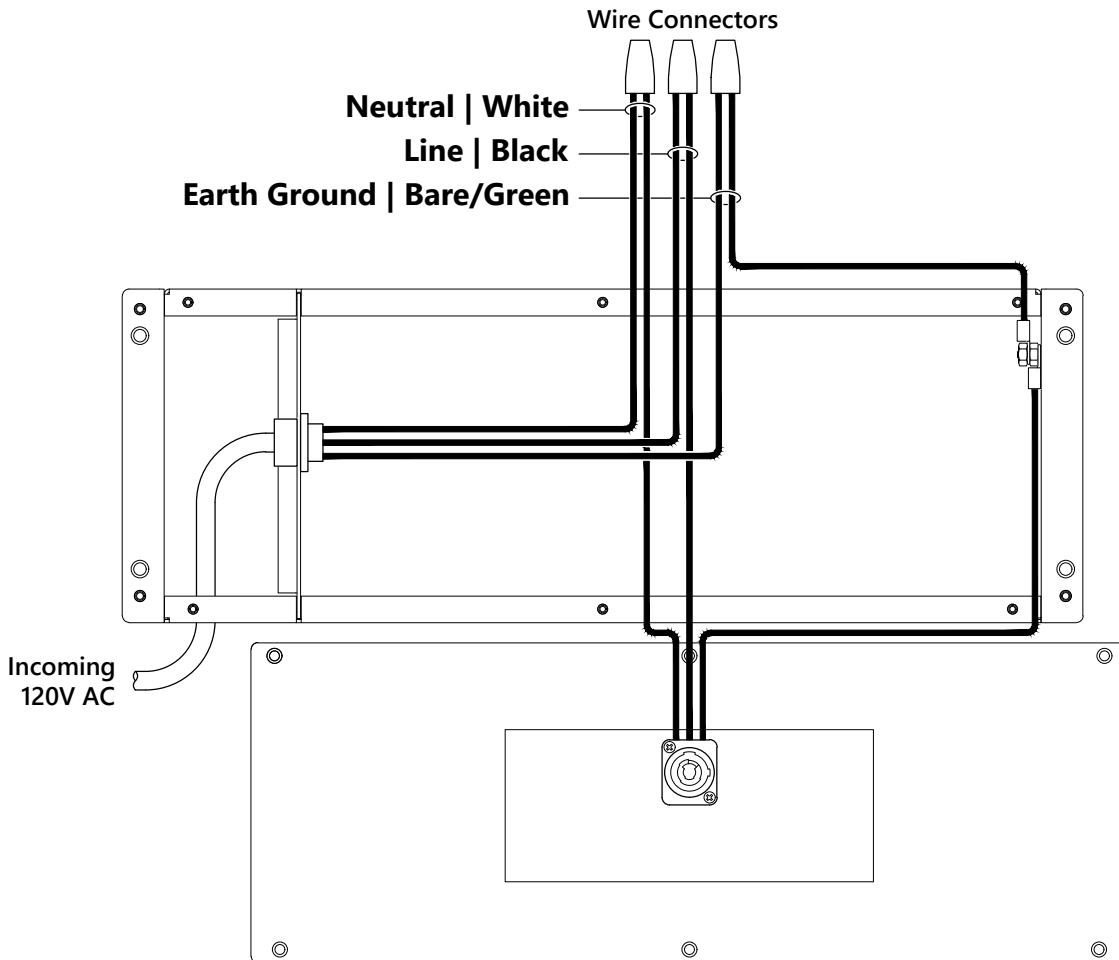
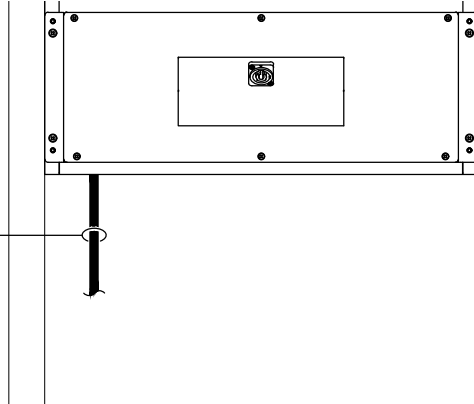


WARNING: This product must be installed by qualified service personnel and connected by a certified electrician in accordance with the applicable installation instructions, installation practices, and local building codes.



WARNING: Before proceeding, turn off electrical power at the circuit breaker or fuse and test that the power is off to avoid risk of fire, shock, and/or death.

Provide 1 x 20A/120V AC dedicated electrical circuit to the knock-out located inside the power module, at the bottom left of the back box

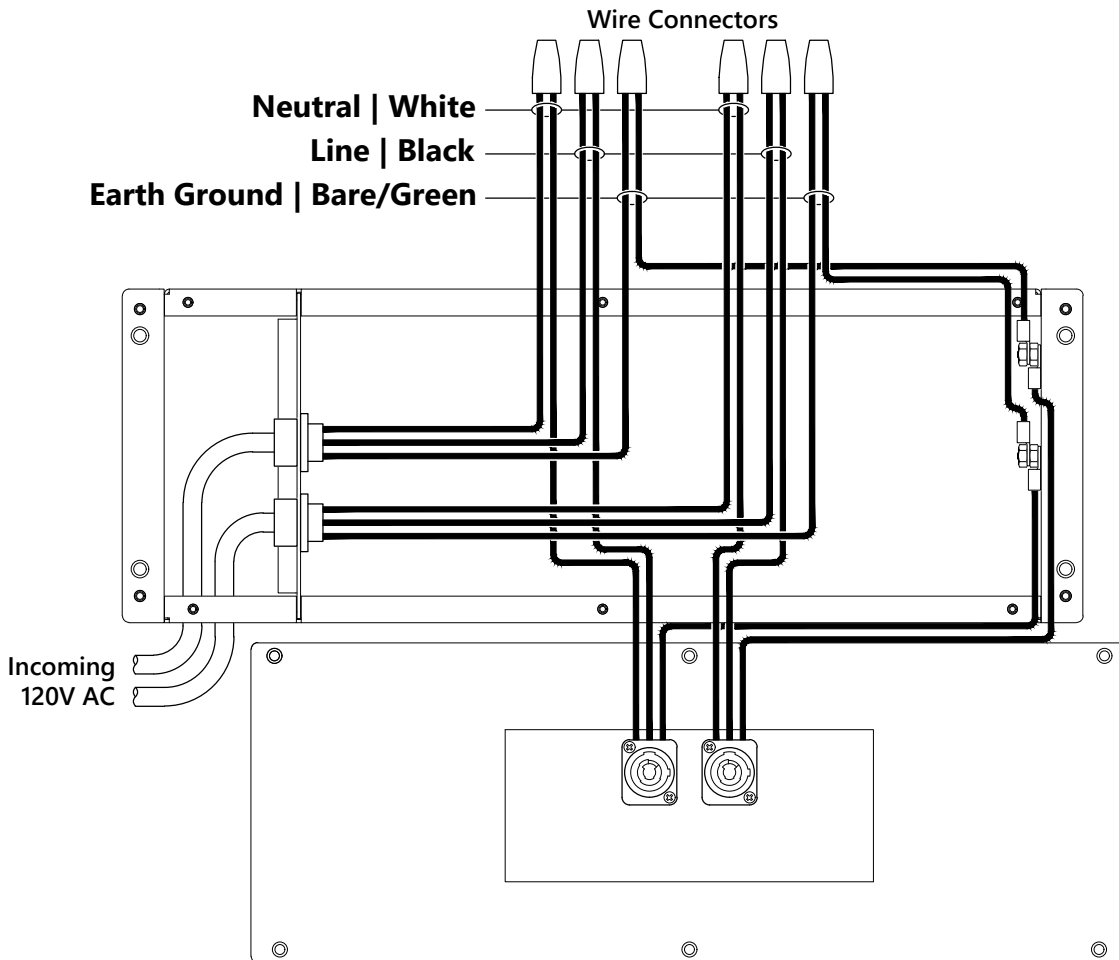
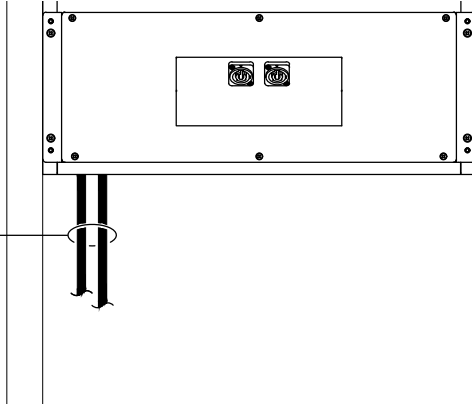


WARNING: This product must be installed by qualified service personnel and connected by a certified electrician in accordance with the applicable installation instructions, installation practices, and local building codes.



WARNING: Before proceeding, turn off electrical power at the circuit breaker or fuse and test that the power is off to avoid risk of fire, shock, and/or death.

Provide 2 x 20A/120V AC dedicated electrical circuits to the knock-outs located inside the power module, at the bottom left of the back box

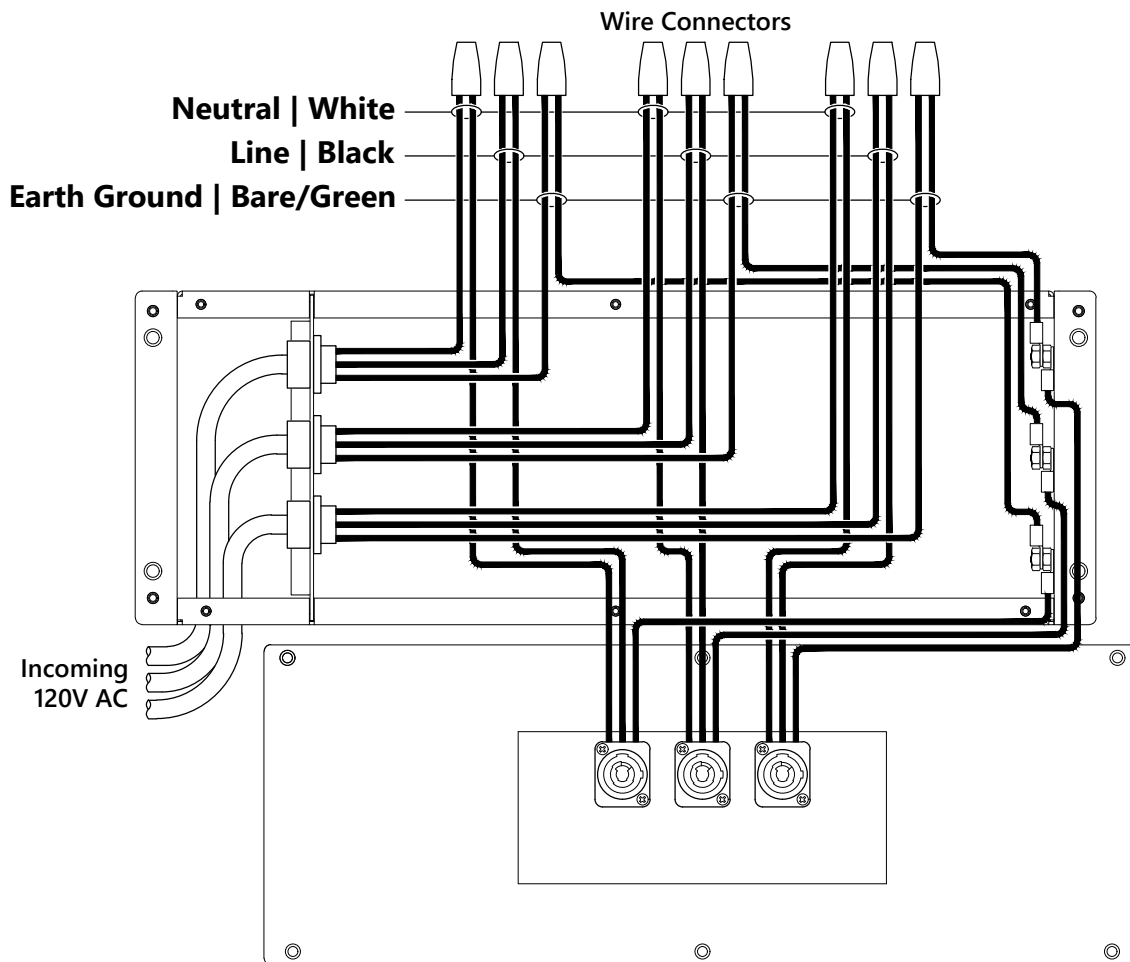
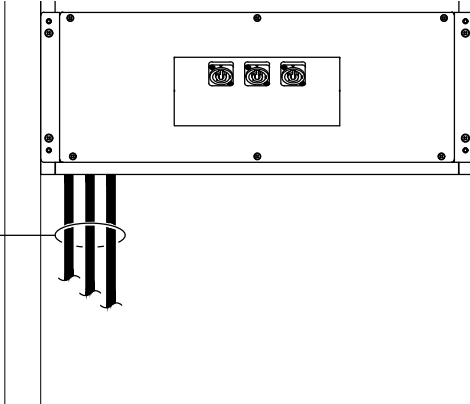


WARNING: This product must be installed by qualified service personnel and connected by a certified electrician in accordance with the applicable installation instructions, installation practices, and local building codes.



WARNING: Before proceeding, turn off electrical power at the circuit breaker or fuse and test that the power is off to avoid risk of fire, shock, and/or death.

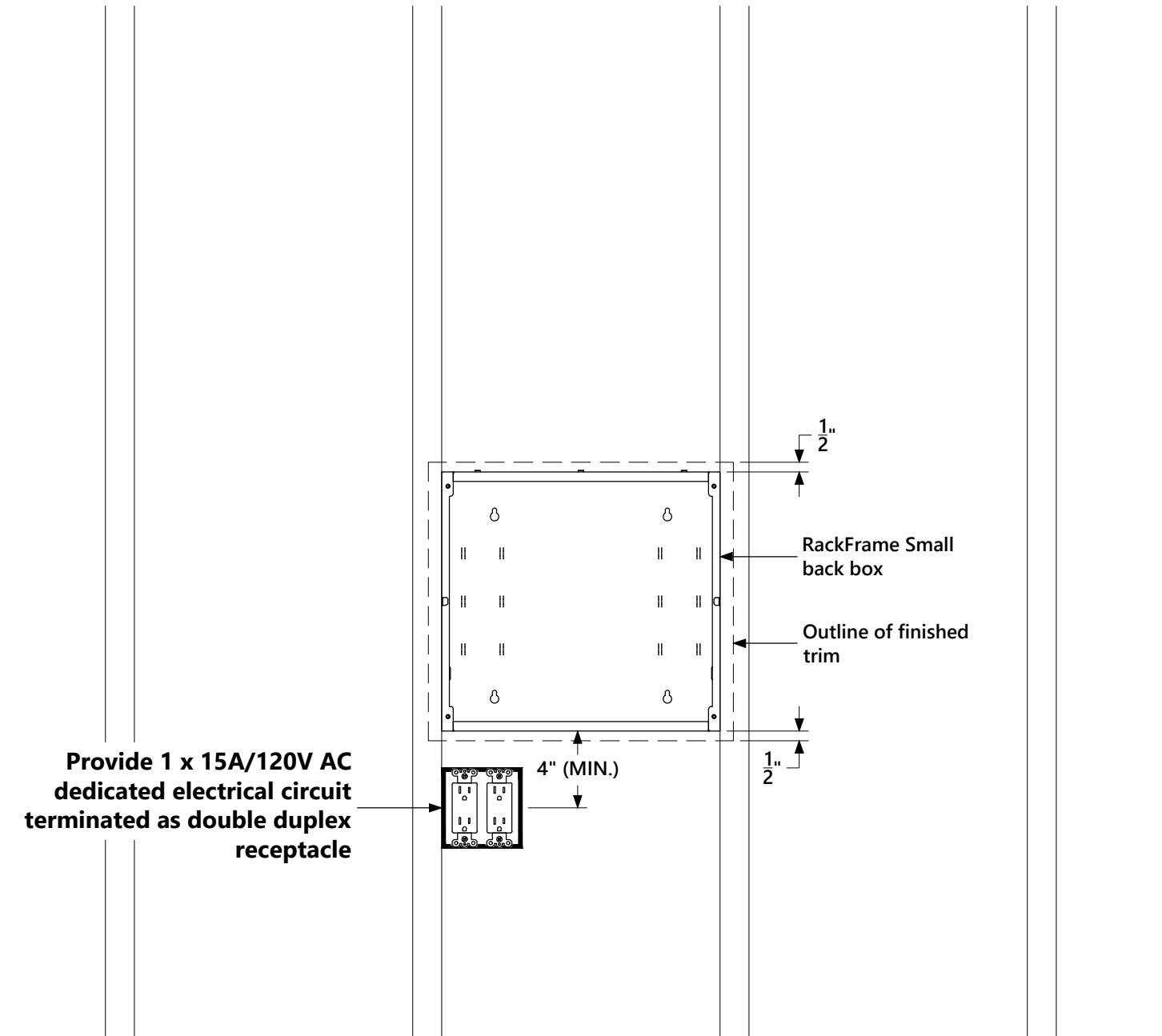
Provide 3 x 20A/120V AC dedicated electrical circuits to the knock-outs located inside the power module, at the bottom left of the back box



WARNING: This product must be installed by qualified service personnel and connected by a certified electrician in accordance with the applicable installation instructions, installation practices, and local building codes.



WARNING: Before proceeding, turn off electrical power at the circuit breaker or fuse and test that the power is off to avoid risk of fire, shock, and/or death.



WARNING: This product must be installed by qualified service personnel and connected by a certified electrician in accordance with the applicable installation instructions, installation practices, and local building codes.



WARNING: Before proceeding, turn off electrical power at the circuit breaker or fuse and test that the power is off to avoid risk of fire, shock, and/or death.