

TABLE OF CONTENTS

KITS	
ROUGH IN KIT	4
TRIM KIT - EXTRA CAPACITY	5
TRIM KIT - FOR RF PASS THROUGH PLATES	6
ACCESSORIES	
COVER PANEL LOCK	8
EQUIPMENT MOUNTING PANEL - DIN MOUNTED TERMINAL BLOCKS	8
EQUIPMENT MOUNTING PANEL - HINGE MOUNT	9
EQUIPMENT MOUNTING PANEL - RAISED SUPPORT BRACKET - DIN MOUNTED DEVICES	9
EQUIPMENT MOUNTING PANEL - RAISED SUPPORT BRACKET - DSC SECURITY DEVICES	10
EQUIPMENT MOUNTING PANEL - RAISED SUPPORT BRACKET - HONEYWELL SECURITY DEVICES - EXPANDER & RELAY	10
EQUIPMENT MOUNTING PANEL - RAISED SUPPORT BRACKET - HONEYWELL SECURITY DEVICES - MAIN BOARD	11
EQUIPMENT MOUNTING PANEL - SHELF	11
FIBER LANDING CASE	12
MOUNTING KIT - WATTBOX - 5 OUTPUT	12
CABLE ENTRY COVER - BLANK - 18"W	13
CABLE ENTRY COVER - CONDUIT KO - 18"W	13
PASS THROUGH PLATES	
PASS THROUGH PLATE - CAT 6	15
PASS THROUGH PLATE - CAT 6 SHIELDED	15
PASS THROUGH PLATE - CAT 6A	16
PASS THROUGH PLATE - BLANK	16
SUPPLEMENTAL INFORMATION	
WIREFRAME PRODUCT LIST (ALPHABETICAL ORDER)	18

WIREFRAME™

— PART OF THE FRAMEWORK PLATFORM —

KITS

PART NAME
ROUGH IN KIT

PART NUMBER
WF-RI

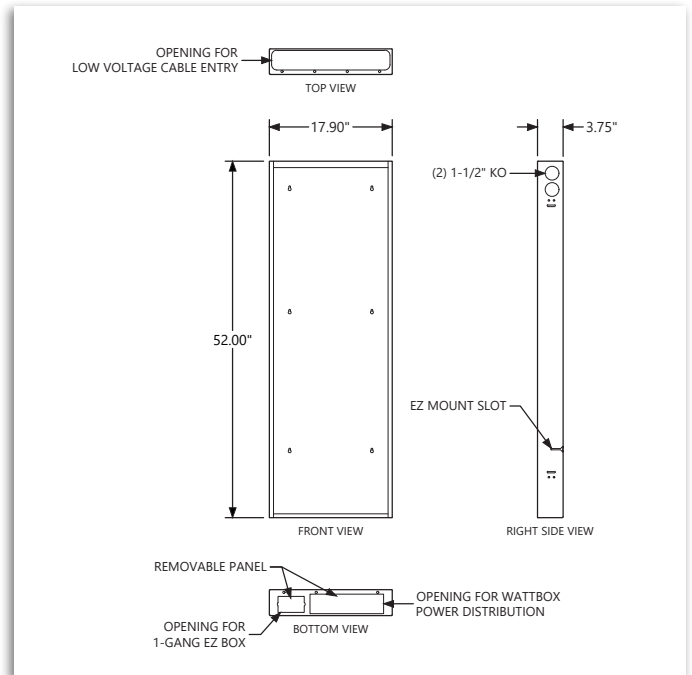
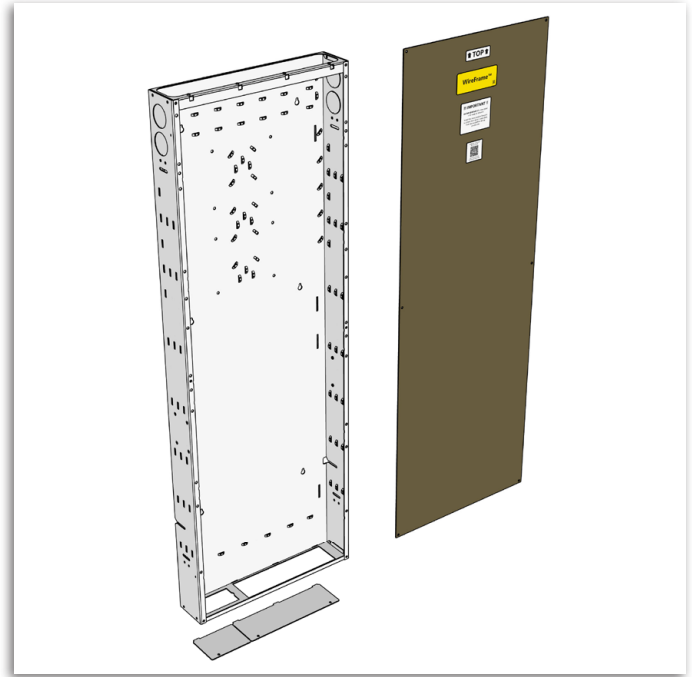
DESCRIPTION
 The WireFrame Rough In Kit includes the steel Back Box enclosure and a paint cover for protection of internal surfaces during construction. The WireFrame Back Box is designed to serve as a central enclosure for a wide variety of low voltage systems and applications. It can be recessed inside the wall or surface mounted, and is designed to work well in both new construction and retrofit applications. The Back Box is made of steel, powder coated white, and includes an integrated cutout to accommodate installation of a standard 1-gang EZ Box for AC power connection.

IMPORTANT:
 The WireFrame Back Box is *NOT* designed to fit between standard 16" on-center framing. The WireFrame Back Box is 18" wide, so please ensure that wall framing is adjusted accordingly to accept the WireFrame Back Box as required.

- KIT INCLUDES**
- (1) Back Box
 - (1) Bottom Panel (removable)
 - (1) Paint Cover
 - (1) Package of Fasteners

SPECIFICATIONS

AC Power Provision	Cutout for 1-Gang EZ Box (by others)
Maximum Load	100 lbs (45 kg) Combined Weight Including Equipment
Finish	White Powder Coat
Material	16GA Cold Rolled Steel
Dimensions	17.90"W x 52.00"H x 4.00"D



PART NAME

TRIM KIT - EXTRA CAPACITY

PART NUMBER

WF-TRIM-XC

DESCRIPTION

This WireFrame Trim Kit includes all of the components required to safely and securely mount low voltage electronic components inside the WireFrame enclosure. The kit includes a single, full height equipment mounting panel which provides ample space for mounting various system electronics, larger capacity Ethernet switches or other devices as required. The Extra Capacity Trim Kit also includes a Flush Mount Cover Panel designed to conceal internal components, ensure adequate venting, and deliver a clean, professional appearance to the finished installation.

KIT INCLUDES

- (2) Flush Mount Cover Brackets
- (1) Upper Wire Management Cover
- (1) Equipment Mounting Panel
- (1) Flush Mount Cover
- (2) SM Device Mounting Kits
- (2) MD Device Mounting Kits
- (1) LG Device Mounting Kit
- (1) Pack of Trim Kit Fasteners

SPECIFICATIONS

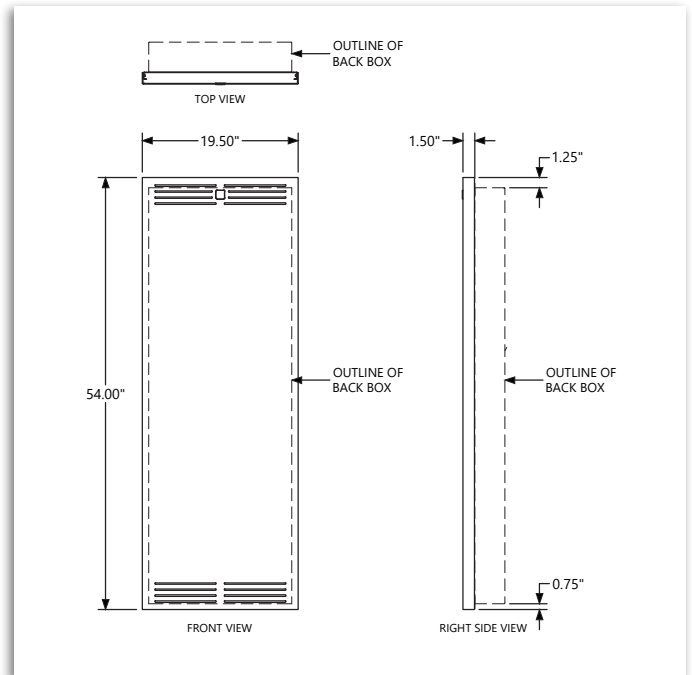
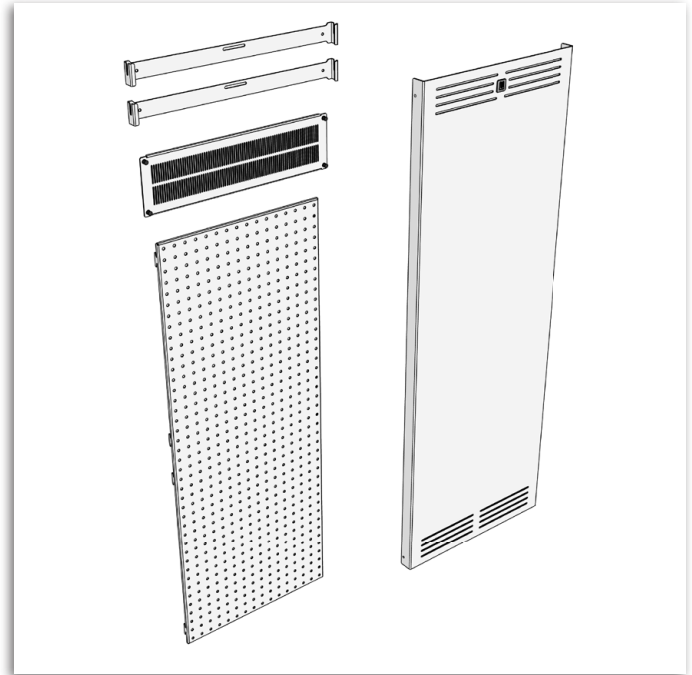
Finish White Powder Coat
 Material 16GA Cold Rolled Steel

SPECIFICATIONS (EQUIPMENT MOUNTING PANEL)

Maximum Load 50 lbs (22 kg)
 Mounting Area 15.5"W x 40.5"H
 Dimensions 16.00"W x 41.00"H x 0.61"D

SPECIFICATIONS (FLUSH MOUNT COVER)

Material 11GA Aluminum
 Dimensions 19.50"W x 54.00"H x 1.50"D



PART NAME

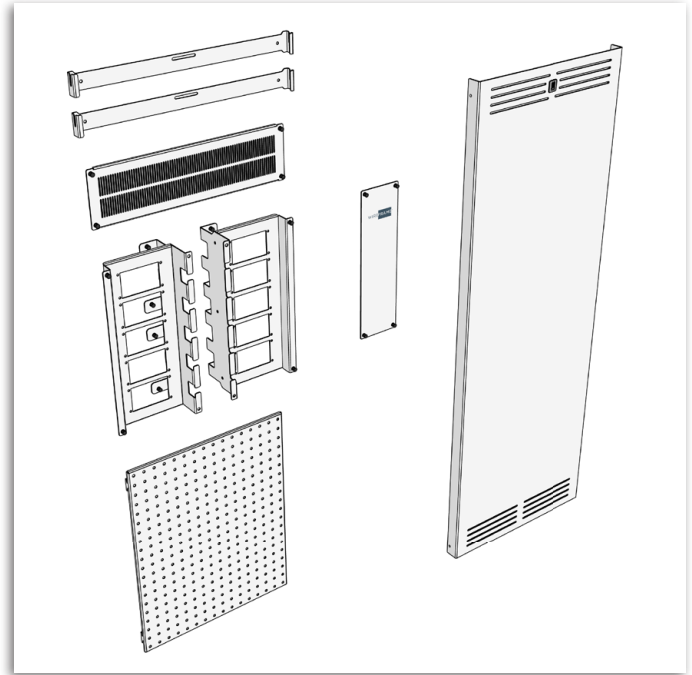
TRIM KIT - FOR RF PASS THROUGH PLATES

PART NUMBER

WF-TRIM-PTP

DESCRIPTION

This WireFrame Trim Kit is specifically designed for use with RackFrame Pass Through Plates to provide terminations for Category cables (maximum of 80) in applications which require that type of system architecture. This kit includes two 5-Bay Distribution Panels, which sit in the top portion of the Back Box and are used for mounting the Pass Through Plates (sold separately) . The Kit also includes a wire management cover to allow the orderly placement and routing of cabling for a clean, professional installation. Also included is the Equipment Mounting Panel, which installs in the lower section of the Back Box and allows space to mount Service Provider hardware, a router, POE power supplies or similar devices. The Trim Kit also includes a Flush Mount Cover Panel designed to conceal internal components, ensure adequate venting, and deliver a clean, professional appearance to the finished installation.



KIT INCLUDES

- | | |
|---------------------------------|--------------------------------|
| (2) Flush Mount Cover Bracket | (1) Flush Mount Cover |
| (1) Upper Wire Management Cover | (2) SM Device Mounting Kits |
| (2) 5 Bay Distribution Panels | (2) MD Device Mounting Kits |
| (1) Distribution Panel Cover | (1) LG Device Mounting Kit |
| (1) Equipment Mounting Panel | (1) Pack of Trim Kit Fasteners |

SPECIFICATIONS

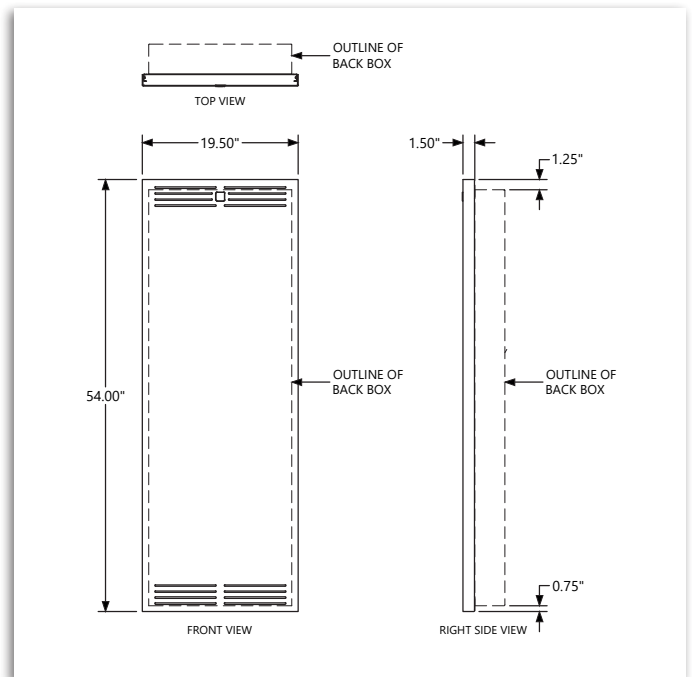
Finish White Powder Coat
 Material 16GA Cold Rolled Steel

SPECIFICATIONS (EQUIPMENT MOUNTING PANEL)

Maximum Load 30 lbs (13 kg)
 Mounting Area 15.5"W x 19.5"H
 Dimensions 16.00"W x 20.00"H x 0.61"D

SPECIFICATIONS (FLUSH MOUNT COVER)

Material 11GA Aluminum
 Dimensions 19.50"W x 54.00"H x 1.50"D



WIREFRAME™

— PART OF THE FRAMEWORK PLATFORM —

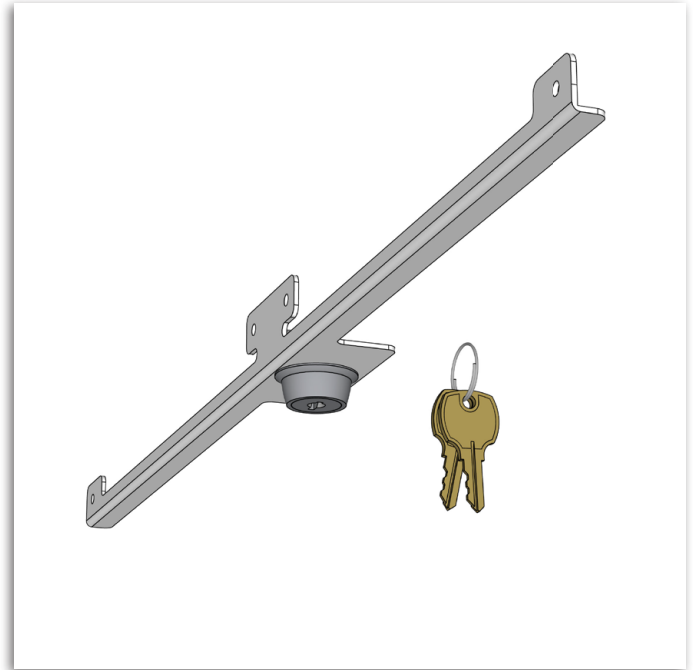
ACCESSORIES

PART NAME**COVER PANEL LOCK****PART NUMBER****WF-CLP-X****DESCRIPTION**

This product is a separate optional accessory designed to secure the front cover panel of WireFrame. It provides a locking mechanism and dedicated keys, to add a level of deterrence by restricting access to the internal components mounted within WireFrame. Typical applications include Security Systems, Access Control Systems, or any application where limiting access is desirable.

SPECIFICATIONS

Includes	(1) Cover Panel Lock (2) Keys (1) Pack of Fasteners
Finish/Material	White Powder Coat / 16GA Cold Rolled Steel
Dimensions	18.20"W x 1.43"H x 1.25"D

**PART NAME****EQUIPMENT MOUNTING PANEL -
DIN MOUNTED TERMINAL BLOCKS****PART NUMBER****WF-EMP-DIN-TB****DESCRIPTION**

This WireFrame accessory accepts standard DIN rail mount terminal blocks available separately from companies such as Phoenix Contact and McMaster-Carr. These terminal blocks are available in a wide variety of styles and colors with multiple labeling schemes, but are generally quite small, allowing for increased density of wiring terminations. The ability to support substantial quantities of different cable types/gauges in a compact space, is especially useful in applications that benefit from this capability within WireFrame.

SPECIFICATIONS

Includes	(1) Panel (1) 14"L DIN Rail (4) Push-Pins (1) Pack of Fasteners
Finish/Material (Panel)	White Powder Coat / 16GA Cold Rolled Steel
Finish/Material (DIN Rail)	Zinc Plated / 20GA Steel
Dimensions	15.76"W x 1.86"H x 0.70"D

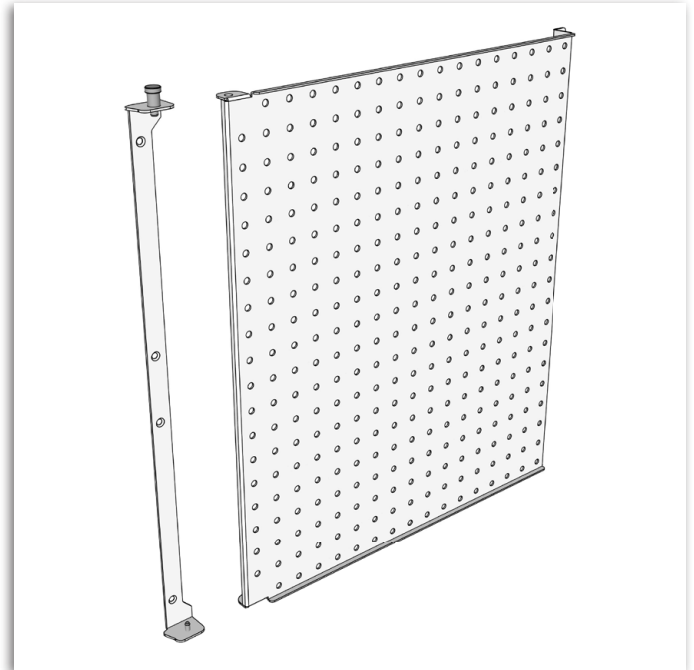


PART NAME**EQUIPMENT MOUNTING PANEL -
HINGE MOUNT****PART NUMBER****WF-EMP-HM****DESCRIPTION**

The WireFrame Hinge Mount Equipment Mounting Panel can be used to add additional capacity to any WireFrame installation. It can be affixed to either side of the WireFrame Back Box, allowing it to swing open to the left or right for maximum installation flexibility. It also uses the same simple hole pattern and mounting methodology as the standard EMP's that ship with WireFrame Trim Kits, and up to two (2) of these Hinge Mount EMP's can be affixed to a single WireFrame Back Box, effectively doubling the overall capacity.

SPECIFICATIONS

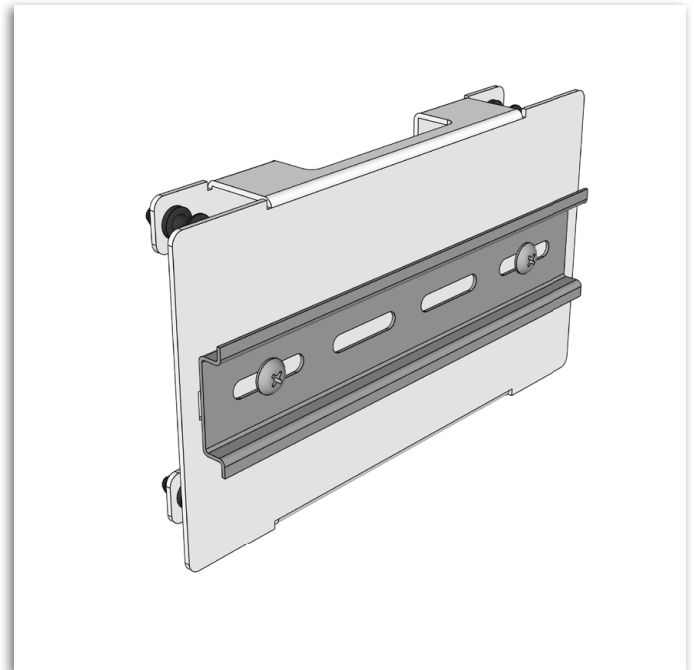
Mounting Area	16.5W x 19.5H
Maximum Load	15lbs (6 kg)
Includes	(2) SM Mounting Kits (2) MD Mounting Kits (1) LG Mounting Kit (1) Pack of Hinge Fasteners
Finish/Material	White Powder Coat / 16GA Cold Rolled Steel
Dimensions	18.15"W x 20.50"H x 1.58"D

**PART NAME****EQUIPMENT MOUNTING PANEL -
RAISED SUPPORT BRACKET - DIN
MOUNTED DEVICES****PART NUMBER****WF-EMP-RSB-DIN****DESCRIPTION**

This WireFrame accessory provides the ability to easily mount and wire any DIN rail mounted device within WireFrame. The design of the bracket raises the mounting surface away from the EMP, allowing cables to pass horizontally or vertically behind the bracket as required. It includes a 6" wide standard DIN rail for securely mounting a wide variety of DIN rail mounted devices. Typical applications include mounting Automation Processors, Lighting Control Processors, Access Control equipment, etc.

SPECIFICATIONS

Includes	(1) Panel (1) 6" DIN Rail (4) Push-Pins (1) Pack of Fasteners
Finish/Material (Panel)	White Powder Coat / 16GA Cold Rolled Steel
Finish/Material (DIN Rail)	Zinc Plated / 20GA Steel
Dimensions	6.50"W x 3.60"H x 1.46"D

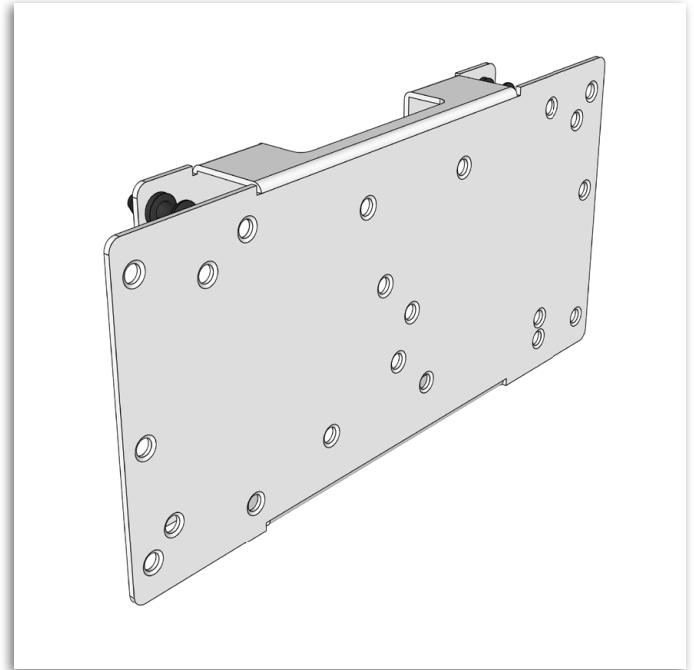


PART NAME**EQUIPMENT MOUNTING PANEL -
RAISED SUPPORT BRACKET - DSC
SECURITY DEVICES****PART NUMBER****WF-EMP-RSB-DSC****DESCRIPTION**

This WireFrame accessory provides the ability to easily mount and wire a number of different devices commonly used in the **DSC Neo Power Series Security Systems**. This single bracket is designed to be ultra-flexible and can be used to securely mount any of the **Main Control Board (x1)**, the **8-Zone Expander Board (x4)**, the **Cellular Uplink Board (x1)**, the **Alarm.Com Board (x1)**, or the **High Current Output Board (x1)**. This bracket can be used on the main Equipment Mounting Panel inside WireFrame, or on a Hinge Mounted Equipment Mounting Panel (sold separately)

SPECIFICATIONS

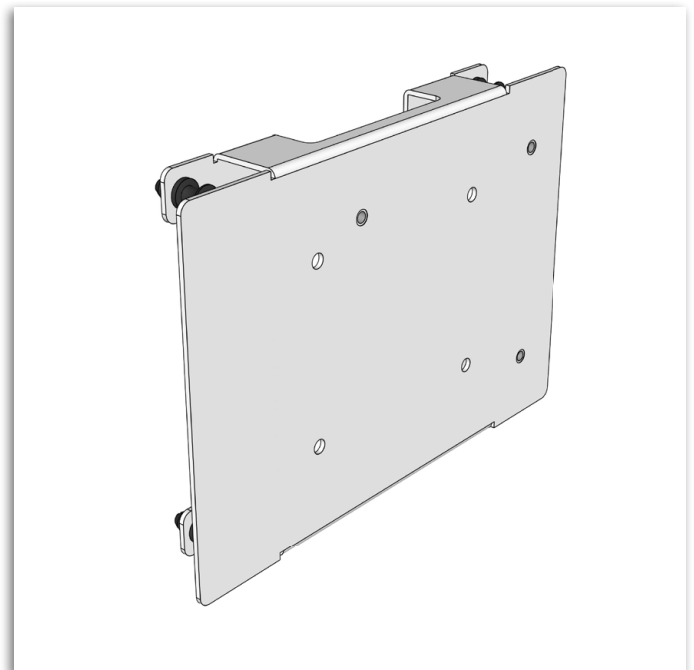
Includes	(1) Panel (4) Push-Pins
Finish/Material	White Powder Coat / 16GA Cold Rolled Steel
Dimensions	7.60"L x 3.60"W x 1.17"D

**PART NAME****EQUIPMENT MOUNTING PANEL - RAISED
SUPPORT BRACKET - HONEYWELL SECURITY
DEVICES - EXPANDER & RELAY****PART NUMBER****WF-EMP-RSB-HWL-EXP****DESCRIPTION**

This WireFrame accessory provides the ability to easily mount and wire two different devices commonly used in **Honeywell RESIDEO VISTA Series Security Systems**. This single bracket can be used to securely mount the **Honeywell 4208U V-PLEX Universal 8-Zone Expander Module (x1)** or the **Honeywell 4202 Relay Module (x1)**. This bracket can be used on the main Equipment Mounting Panel inside WireFrame, or on a Hinge Mounted Equipment Mounting Panel (sold separately).

SPECIFICATIONS

Includes	(1) Panel (4) Push-Pins (1) Pack of Fasteners
Finish/Material	White Powder Coat / 16GA Cold Rolled Steel
Dimensions	6.60"L x 4.60"W x 1.17"D



PART NAME**EQUIPMENT MOUNTING PANEL - RAISED
SUPPORT BRACKET - HONEYWELL SECURITY
DEVICES - MAIN BOARD****PART NUMBER****WF-EMP-RSB-HWL-MAIN****DESCRIPTION**

This WireFrame accessory provides the ability to easily mount and wire the Main Control Board used in **Honeywell RESIDEO VISTA 128BPT Series** Security Systems. These brackets can be used on the main Equipment Mounting Panel inside WireFrame, or on a Hinge Mounted Equipment Mounting Panel (sold separately).

SPECIFICATIONS

Includes	(2) Brackets (4) Push-Pins
Finish/Material	White Powder Coat / 16GA Cold Rolled Steel
Dimensions	1.05"L x 8.76"H

**PART NAME****EQUIPMENT MOUNTING PANEL -
SHELF****PART NUMBER****WF-EMP-SHLF****DESCRIPTION**

The WireFrame Equipment Mounting Shelf provides another option for mounting devices inside WireFrame. This can include items that have irregular shapes, or which may be too large to be fastened using the mounting kits alone. The Shelf is mounted to the Equipment Mounting Panel using push-pins and has been sized to fit inside the Back Box, even when also using the WF-EMP-HM.

SPECIFICATIONS

Mounting Area	15.7"W x 4.5"D
Maximum Load	7 lbs (3 kg)
Includes	(1) Pack of Spare Push-Pin Fasteners
Finish/Material	White Powder Coat / 16GA Cold Rolled Steel
Dimensions	15.76"W x 2.88"H x 4.54"D

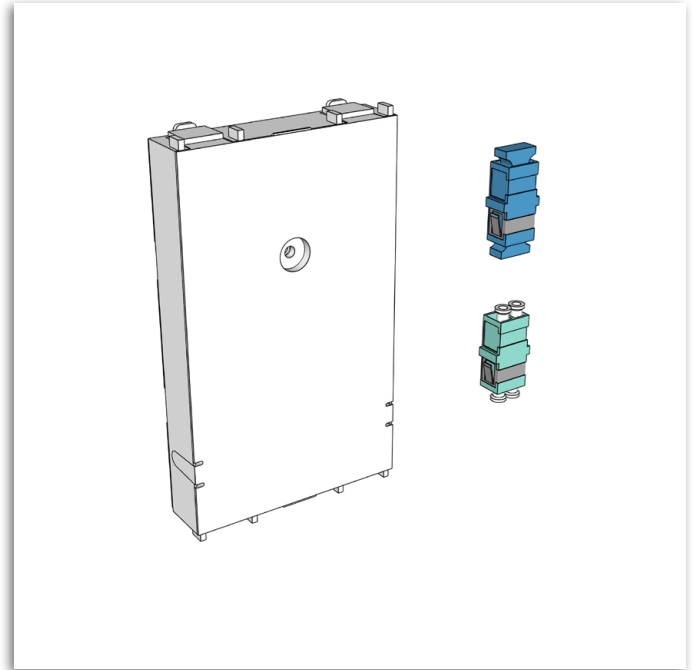


PART NAME**FIBER LANDING CASE****PART NUMBER****WF-FLC****DESCRIPTION**

The Fiber Landing Case serves as a dedicated termination point for incoming Fiber Optic cables within the WireFrame Back Box. It can be mounted on either the left or right sidewall of the WireFrame enclosure, supports up to 2 separate incoming Fiber cables and features internal pathways that maintain the correct Fiber bend radius while providing space for spare cable length. The WF-FLC ships with one (1) Simplex and one (1) Duplex bulkhead adapter and the fasteners used to affix it to the inside of the Back Box.

SPECIFICATIONS

Includes	(1) Simplex Fiber Pass Through Connector (1) Duplex Fiber Pass Through Connector (1) Package of Fasteners
Dimensions	2.80"W x 4.82"H x 0.71"D

**PART NAME****MOUNTING KIT -
WATTBOX - 5 OUTPUT****PART NUMBER****WF-MK-WATTBOX-5****DESCRIPTION**

This item is a mounting kit designed to securely mount a WattBox WB-300VB-IP-5 power distribution product in the bottom of the WireFrame Back Box.

IMPORTANT:

The WattBox product is not included with this item and must be purchased separately from others.

SPECIFICATIONS

Includes	(1) Package of Fasteners
Finish/Material	White Powder Coat / 16GA Cold Rolled Steel
Dimensions	10.95"L x 3.65"W

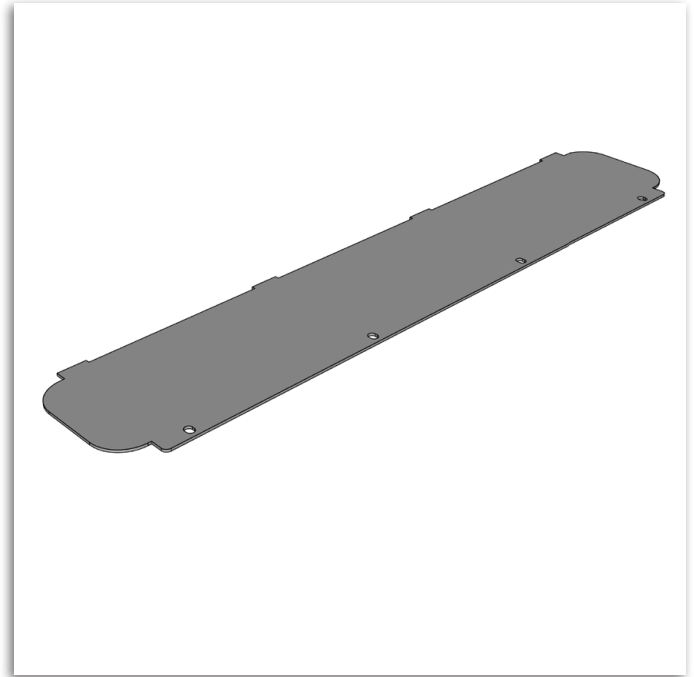


PART NAME**CABLE ENTRY COVER - BLANK - 18"W****PART NUMBER****FWA-CEC-BNK-18****DESCRIPTION**

This optional accessory is designed to be mounted in the top of the WireFrame Back Box. Once installed, it closes the top of the Back Box ensuring that any dust/insulation/debris present inside the wall cavity does not enter the Back Box. It also provides a solid surface for connecting conduit(s) as required in some applications.

SPECIFICATIONS

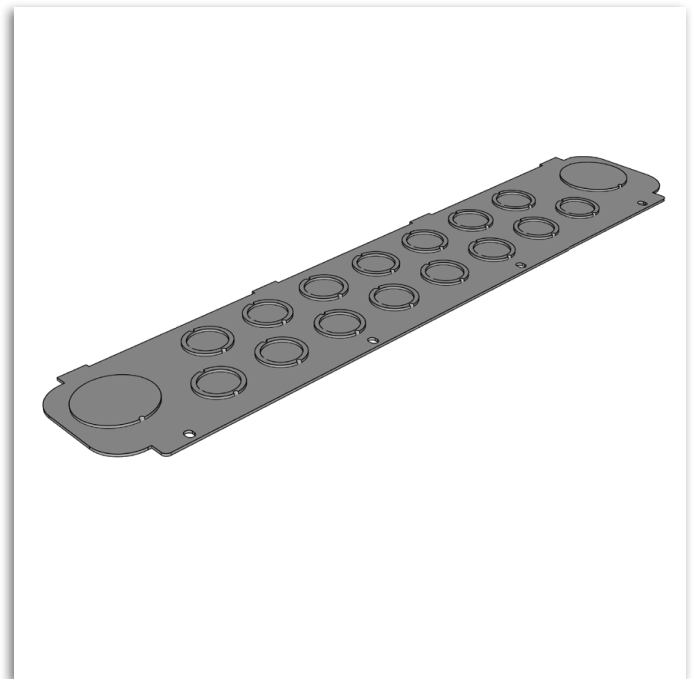
Compatible Products	RKF-RI-MX RKF-RI-LG RKF-RI-MD WF-RI
Includes	(1) Cable Entry Cover (1) Package of Fasteners
Finish/Material	Bare / 14GA Aluminum
Dimensions	17.34"W x 3.54"D

**PART NAME****CABLE ENTRY COVER - CONDUIT KO - 18"W****PART NUMBER****FWA-CEC-CKO-18****DESCRIPTION**

This optional accessory is designed to be mounted in the top of the WireFrame Back Box. This cover plate provides a number of conduit knock-outs for connecting rigid metal conduit (EMT) or flexible conduit ("Smurf Tube") as required in some applications.

SPECIFICATIONS

Compatible Products	RKF-RI-MX RKF-RI-LG RKF-RI-MD WF-RI
Conduit KOs	(15) 1/2" & 3/4" Double KO (2) 1-1/4" KO
Includes	(1) Cable Entry Cover (1) Package of Fasteners
Finish/Material	Bare / 16GA Galvanized Steel
Dimensions	17.34"W x 3.54"D



WIREFRAME™

— PART OF THE FRAMEWORK PLATFORM —

PASS THROUGH PLATES

PART NAME

PASS THROUGH PLATE - CAT 6

PART NUMBER

RKF-PTP-C6

DESCRIPTION

The CAT6 Pass Through Plate provides termination points for unshielded CAT6 cabling. Applications can include: Ethernet and PoE networking, video and audio extension, and low voltage control distribution.

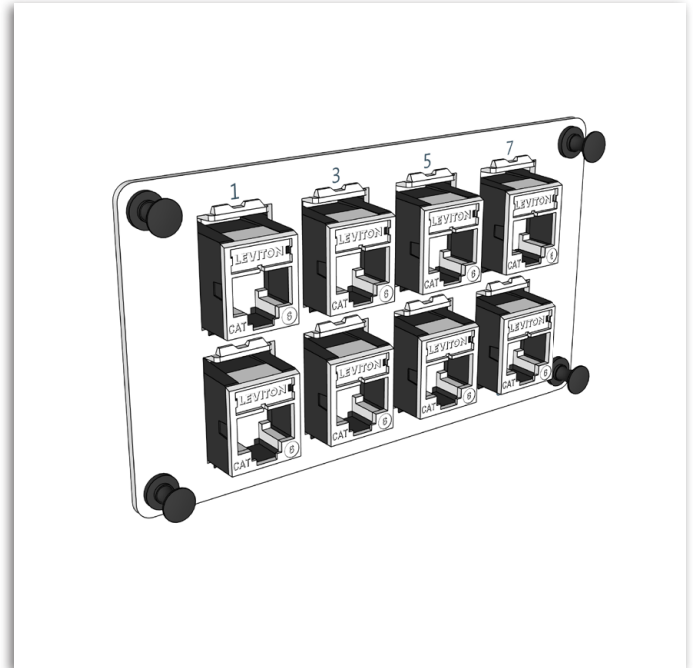
IMPORTANT: CAT6 Pass Through Plates do NOT include color indicators. These are sold separately in the colors listed below.

FRAMEWORK COLOR CODING STANDARDS

- Blue Insert (Part No. RKF-PTP-CCI-BLU) - A/V Distribution
- Gray Insert (Part No. RKF-PTP-CCI-GRY) - Networking
- Yellow Insert (Part No. RKF-PTP-CCI-YLW) - PoE
- White Insert (Part No. RKF-PTP-CCI-WHT) - Multi-use (IR, I/O, CC, Serial)

SPECIFICATIONS

- Connections (8) RJ45 8P8C - **WHITE**
- Finish/Material White Powder Coat / 16GA Cold Rolled Steel
- Dimensions 4.25"W x 2.38"H x 1.37"D



PART NAME

PASS THROUGH PLATE - CAT 6 SHIELDED

PART NUMBER

RKF-PTP-C6SH

DESCRIPTION

The CAT6 Shielded Pass Through Plate provides termination points for shielded CAT6 cabling. Applications can include: Ethernet and PoE networking, video and audio extension, and low voltage control distribution.

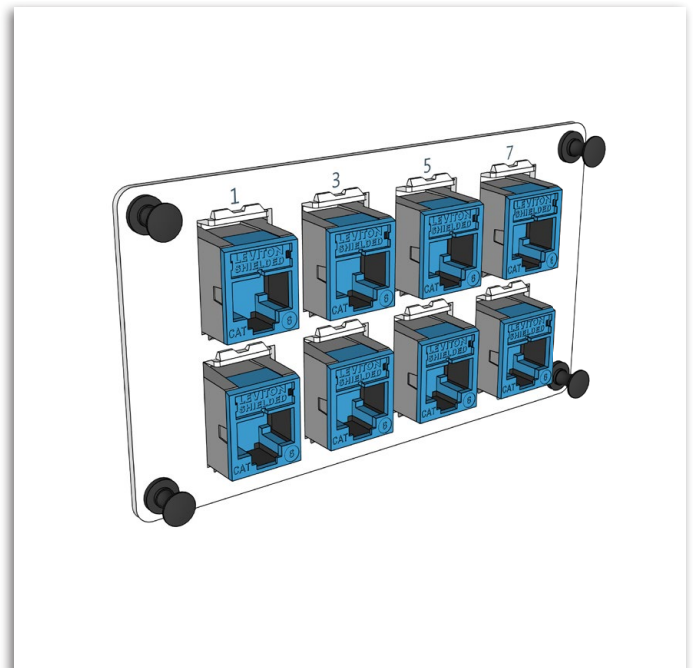
IMPORTANT: CAT6 Pass Through Plates do NOT include color indicators. These are sold separately in the colors listed below.

FRAMEWORK COLOR CODING STANDARDS

- Blue Insert (Part No. RKF-PTP-CCI-BLU) - A/V Distribution
- Gray Insert (Part No. RKF-PTP-CCI-GRY) - Networking
- Yellow Insert (Part No. RKF-PTP-CCI-YLW) - PoE
- White Insert (Part No. RKF-PTP-CCI-WHT) - Multi-use (IR, I/O, CC, Serial)

SPECIFICATIONS

- Connections (8) RJ45 8P8C, Shielded - **BLUE**
- Finish/Material White Powder Coat / 16GA Cold Rolled Steel
- Dimensions 4.25"W x 2.38"H x 1.37"D



PART NAME

PASS THROUGH PLATE - CAT 6A

PART NUMBER

RKF-PTP-C6A

DESCRIPTION

The CAT6A Pass Through Plate provides termination points for unshielded CAT6A cabling. Applications can include: Ethernet and PoE networking, video and audio extension, and low voltage control distribution.

IMPORTANT: CAT6 Pass Through Plates do NOT include color indicators. These are sold separately in the colors listed below.

FRAMEWORK COLOR CODING STANDARDS

- Blue Insert (Part No. RKF-PTP-CCI-BLU) - A/V Distribution
- Gray Insert (Part No. RKF-PTP-CCI-GRY) - Networking
- Yellow Insert (Part No. RKF-PTP-CCI-YLW) - PoE
- White Insert (Part No. RKF-PTP-CCI-WHT) - Multi-use (IR, I/O, CC, Serial)

SPECIFICATIONS

- Connections (8) RJ45 8P8C - **PURPLE**
- Finish/Material White Powder Coat / 16GA Cold Rolled Steel
- Dimensions 4.25"W x 2.38"H x 1.37"D



PART NAME

PASS THROUGH PLATE - BLANK

PART NUMBER

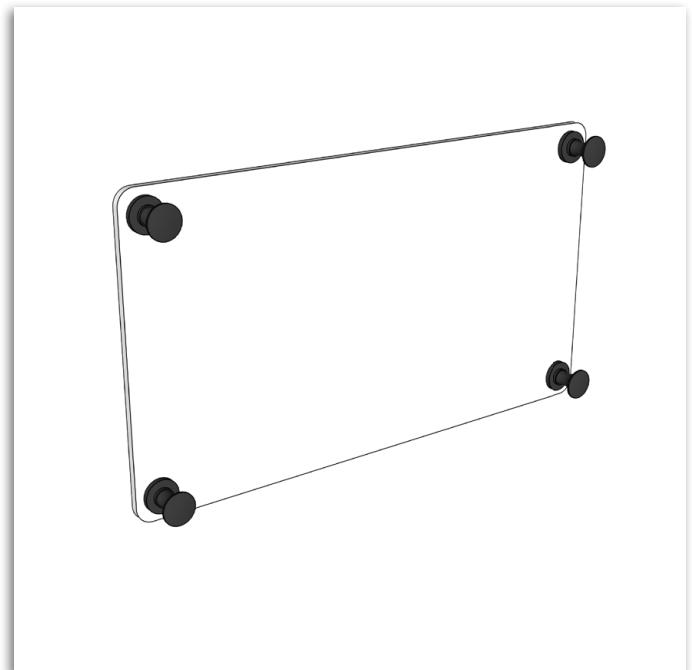
RKF-PTP-BNK

DESCRIPTION

The Blank Pass Through Plate is used on the 5 Bay Distribution panel to conceal unused locations.

SPECIFICATIONS

- Finish/Material White Powder Coat / 16GA Cold Rolled Steel
- Dimensions 4.25"W x 2.38"H x 0.63"D





— PART OF THE FRAMEWORK PLATFORM —

SUPPLEMENTAL INFORMATION

WIREFRAME PRODUCT LIST (ALPHABETICAL ORDER)

WF-CPL-A ----- WF - COVER PANEL LOCK - KEY A
 WF-CPL-B ----- WF - COVER PANEL LOCK - KEY B
 WF-CPL-C ----- WF - COVER PANEL LOCK - KEY C
 WF-CPL-D ----- WF - COVER PANEL LOCK - KEY D
 WF-CPL-E ----- WF - COVER PANEL LOCK - KEY E
 WF-CPL-KEY-A ----- WF - COVER PANEL LOCK - REPLACEMENT KEY - KEY A
 WF-CPL-KEY-B ----- WF - COVER PANEL LOCK - REPLACEMENT KEY - KEY B
 WF-CPL-KEY-C ----- WF - COVER PANEL LOCK - REPLACEMENT KEY - KEY C
 WF-CPL-KEY-D ----- WF - COVER PANEL LOCK - REPLACEMENT KEY - KEY D
 WF-CPL-KEY-E ----- WF - COVER PANEL LOCK - REPLACEMENT KEY - KEY E
 WF-EMP-DIN-TB ----- WF - EQUIPMENT MOUNTING PANEL - FOR DIN MOUNTED TERMINAL BLOCKS
 WF-EMP-HM ----- WF - EQUIPMENT MOUNTING PANEL - HINGE MOUNT
 WF-EMP-RSB-DIN ----- WF - EQUIPMENT MOUNTING PANEL - RAISED SUPPORT BRACKET - DIN MOUNTED DEVICES
 WF-EMP-RSB-DSC ----- WF - EQUIPMENT MOUNTING PANEL - RAISED SUPPORT BRACKET - DSC SECURITY DEVICES
 WF-EMP-RSB-HWL-EXP --- WF - EQUIPMENT MOUNTING PANEL - RAISED SUPPORT BRACKET - HONEYWELL SECURITY EXPANDER & RELAY BOARDS
 WF-EMP-RSB-HWL-MAIN - WF - EQUIPMENT MOUNTING PANEL - RAISED SUPPORT BRACKET - HONEYWELL SECURITY MAIN BOARD
 WF-EMP-SHLF ----- WF - EQUIPMENT MOUNTING PANEL - SHELF
 WF-FLC ----- WF - FIBER LANDING CASE
 WF-MK-WATTBOX-5 ----- WF - MOUNTING KIT - WATTBOX - 5 OUTPUT
 WF-RI ----- WF - ROUGH IN KIT
 WF-TRIM-PTP ----- WF - TRIM KIT - FOR RF PASS THROUGH PLATES
 WF-TRIM-XC ----- WF - TRIM KIT - EXTRA CAPACITY

COMPATIBLE FRAMEWORK PRODUCTS

FWA-CEC-BNK-18 ----- FWA - CABLE ENTRY COVER - BLANK - 18"W
 FWA-CEC-CKO-18 ----- FWA - CABLE ENTRY COVER - CONDUIT KNOCK-OUTS - 18"W
 RKF-PTP-BNK ----- KF - PASS THROUGH PLATE - BLANK
 RKF-PTP-C6 ----- RKF - PASS THROUGH PLATE - CAT 6
 RKF-PTP-C6A ----- RKF - PASS THROUGH PLATE - CAT 6A
 RKF-PTP-C6SH ----- RKF - PASS THROUGH PLATE - CAT 6 SHIELDED
 RKF-PTP-CCI-BLK ----- RKF - PASS THROUGH PLATE - CAT 6 COLOR INSERTS - BLACK
 RKF-PTP-CCI-BLU ----- RKF - PASS THROUGH PLATE - CAT 6 COLOR INSERTS - BLUE
 RKF-PTP-CCI-GRN ----- RKF - PASS THROUGH PLATE - CAT 6 COLOR INSERTS - GREEN
 RKF-PTP-CCI-GRY ----- RKF - PASS THROUGH PLATE - CAT 6 COLOR INSERTS - GRAY
 RKF-PTP-CCI-ORG ----- RKF - PASS THROUGH PLATE - CAT 6 COLOR INSERTS - ORANGE
 RKF-PTP-CCI-PRL ----- RKF - PASS THROUGH PLATE - CAT 6 COLOR INSERTS - PURPLE
 RKF-PTP-CCI-RED ----- RKF - PASS THROUGH PLATE - CAT 6 COLOR INSERTS - RED
 RKF-PTP-CCI-WHT ----- RKF - PASS THROUGH PLATE - CAT 6 COLOR INSERTS - WHITE
 RKF-PTP-CCI-YLW ----- RKF - PASS THROUGH PLATE - CAT 6 COLOR INSERTS - YELLOW



WARRANTY

FrameWork warrants its components to be free from manufacturing defects for a period of two years from the date of sale. FrameWork is not responsible for any incidental or consequential damages, nor does FrameWork warranty the installation of its products by the dealer.

framework-us.com

©2026 FrameWork Corp. All Rights Reserved