

TABLE OF CONTENTS

KITS	
ROUGH-IN KIT - MEDIUM	5
TRIM KIT - MEDIUM - FOR PS40 PULL-OUT BRACKET	6
TRIM KIT - MEDIUM - EXPANSION KIT	7
ACCESSORIES	
MOUNTING KIT - AC POWER	9
EQUIPMENT MOUNTING PANEL - MEDIUM	9
CABLE ENTRY COVER - FOR PASS THROUGH PLATES	10
CABLE ENTRY COVER - BLANK - 14"W	10
CABLE ENTRY COVER - CONDUIT KO - 14"W	11
PASS THROUGH PLATES	
PASS THROUGH PLATE - CAT 6	13
PASS THROUGH PLATE - CAT 6 SHIELDED	13
PASS THROUGH PLATE - CAT 6A	14
PASS THROUGH PLATE - DISTRIBUTED AUDIO - 8 ZONE	14
PASS THROUGH PLATE - HOME CINEMA - LCR & SURR. CHANNELS	15
PASS THROUGH PLATE - TERMINAL BLOCK - 2-POSITION	15
PASS THROUGH PLATE - BLANK	16
SUPPLEMENTAL INFORMATION	
PICTUREFRAME PRODUCT LIST (ALPHABETICAL ORDER)	18

PICTUREFRAME™

— PART OF THE FRAMEWORK PLATFORM —

KITS

PART NAME
ROUGH-IN KIT - MEDIUM

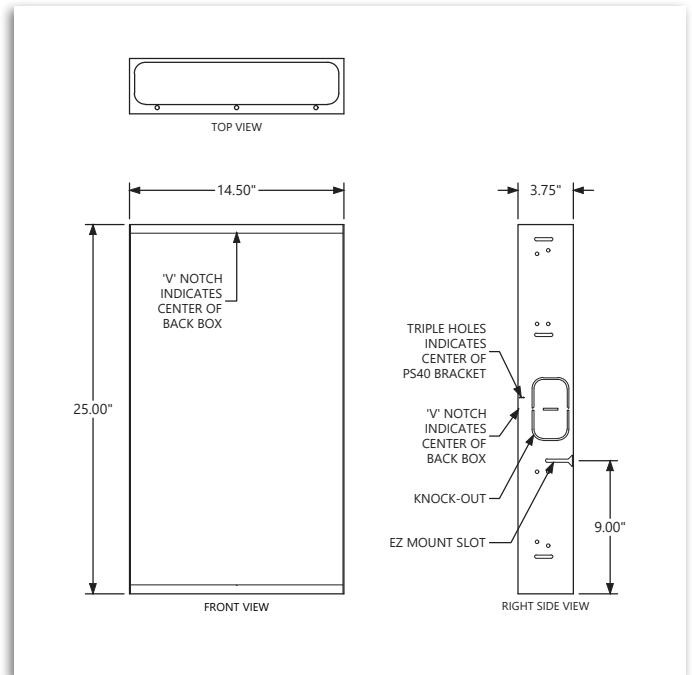
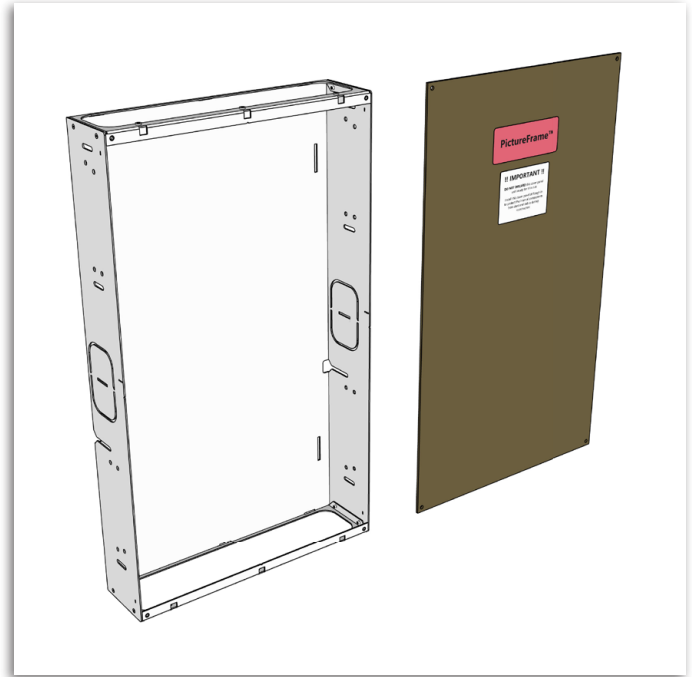
PART NUMBER
PCF-RI-MD

DESCRIPTION
 The PictureFrame Rough In Kit includes the steel Back Box enclosure, and a paint cover to protect the internal surfaces from accumulating debris during construction. The Back Box includes "V Notches" at the side and top to indicate the center of the Back Box and there are also three small holes in the side panel to indicate the center of the PS40 bracket once installed. These visual indicators are provided to assist with calculating the position of the display once installed.

- INCLUDES**
- (1) Back Box
 - (1) Paint Cover
 - (1) Package of Fasteners

SPECIFICATIONS

Finish	White Powder Coat
Material	16GA Cold Rolled Steel
Dimensions	14.50"W x 25.00"H x 3.75"D



PART NAME

TRIM KIT - MEDIUM - FOR PS40 PULL-OUT BRACKET

PART NUMBER

PCF-TRIM-MD-PS40

DESCRIPTION

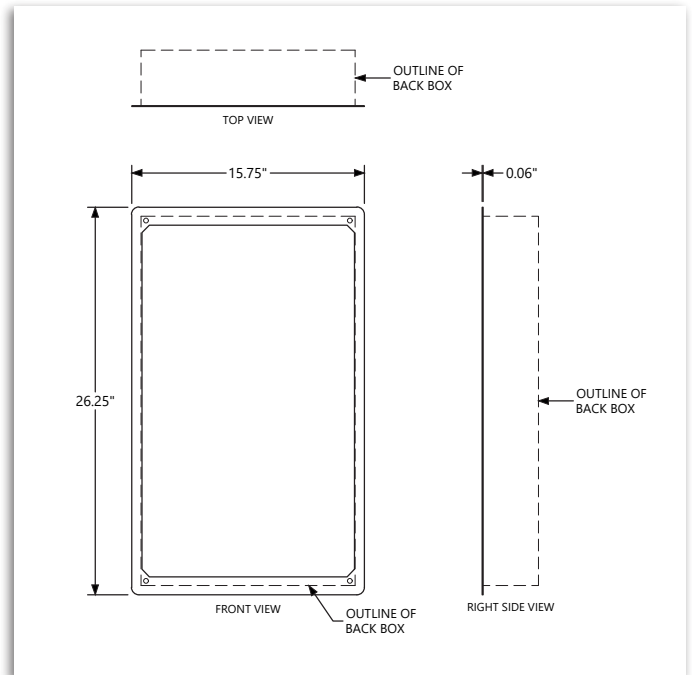
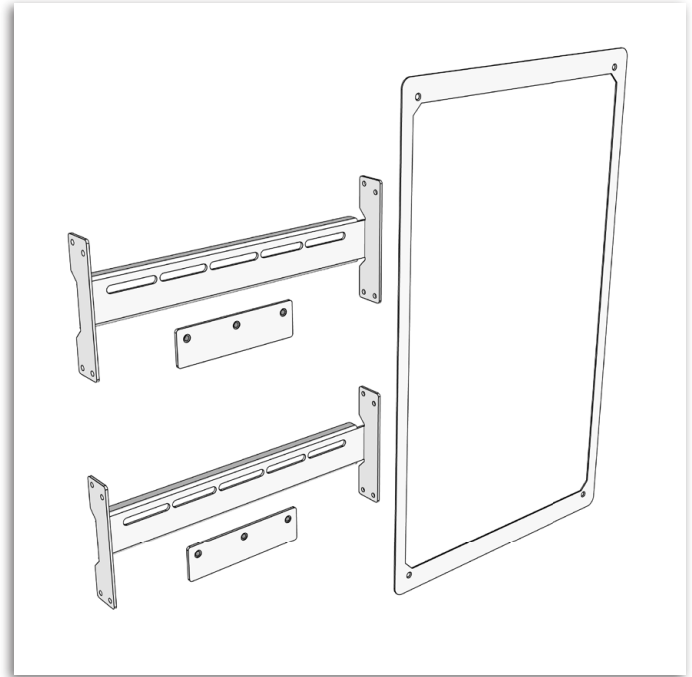
This Trim Kit is used to mount and support a display using a PS40 pull out bracket. The kit includes 2 Display Mount Support Brackets that are affixed inside the Back Box, and 2 Display Mount Support Plates used to attach the PS40 bracket to the Display Mount Support Brackets. The kit also includes a finishing trim to conceal the unfinished edge of the wall opening where it meets the Back Box resulting in a clean, finished installation. Fasteners for all items are also included.

INCLUDES

- (2) Display Mount Support Bracket - PS Series
- (2) Display Mount Support Plate - PS Series
- (1) Finishing Trim
- (1) Package of Fasteners

SPECIFICATIONS

Finish	White Powder Coat
Display Mount Support Bracket	11GA Cold Rolled Steel
Display Mount Support Plate	11GA Cold Rolled Steel
Finishing Trim	16GA Cold Rolled Steel
Finished Dimensions	15.75"W x 26.25"H x 0.06"D



PART NAME

TRIM KIT - MEDIUM - EXPANSION KIT

PART NUMBER

PCF-TRIM-MD-EXP

DESCRIPTION

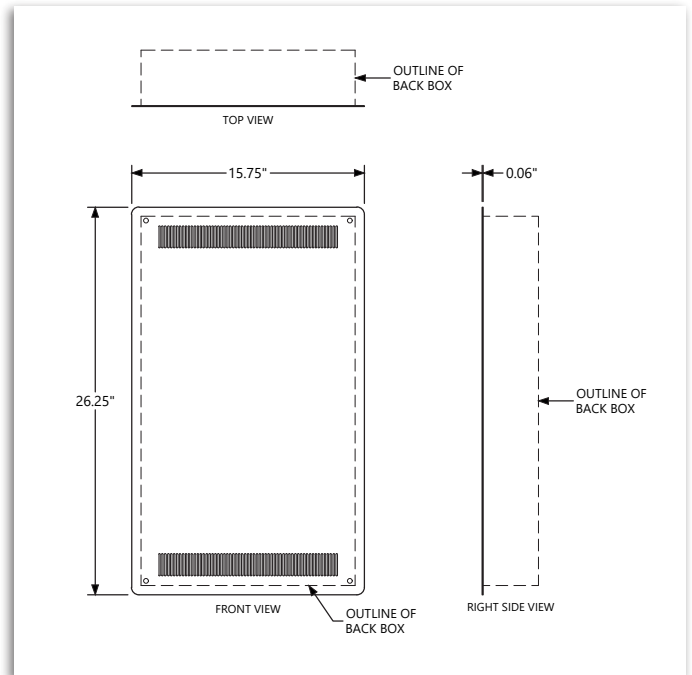
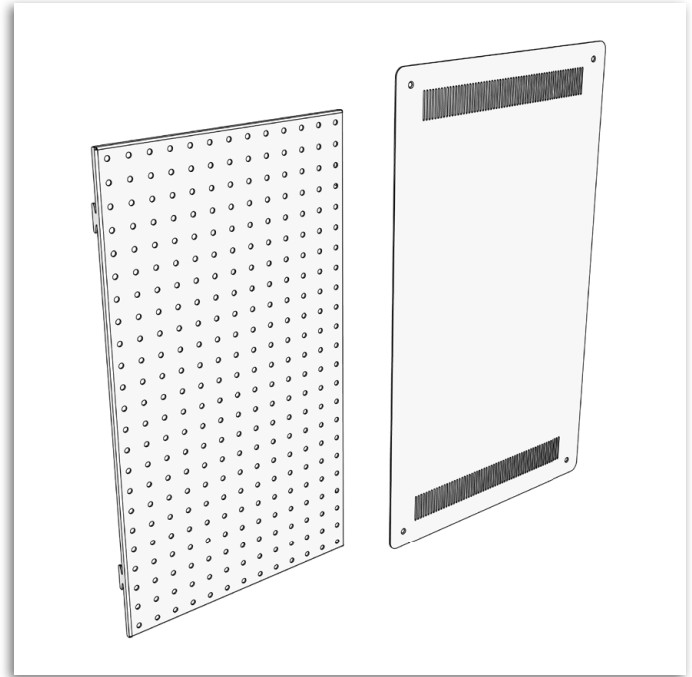
This Trim Kit includes a removable Equipment Mounting Panel (Medium) used to mount A/V Sources, HDMI signal extenders, Automation processors, a Samsung FRAME One-Connect box, or similar devices. The EMP is removable, allowing off-site device mounting, wiring and system testing prior to installation on site. It features a hole pattern designed for use with our Universal Mounting Kits. We've included 2 sets each of the Small and Medium Mounting Kits, and 1 set of the Large Mounting Kit, but **additional Universal Mounting Kits can be purchased separately if needed.** This Trim Kit also includes a Vented Cover Panel that affixes to the front of the Back Box, providing a clean, finished appearance behind the TV and protecting equipment mounted inside.

INCLUDES

- (1) Equipment Mounting Panel - Medium
- (1) Vented Cover Panel
- (2) SM Mounting Kits
- (2) MD Mounting Kits
- (1) LG Mounting Kit
- (1) Package of Fasteners

SPECIFICATIONS

Finish	White Powder Coat
Material	16GA Cold Rolled Steel
Finished Dimensions	15.75"W x 26.25"H x 0.06"D



PICTUREFRAME™

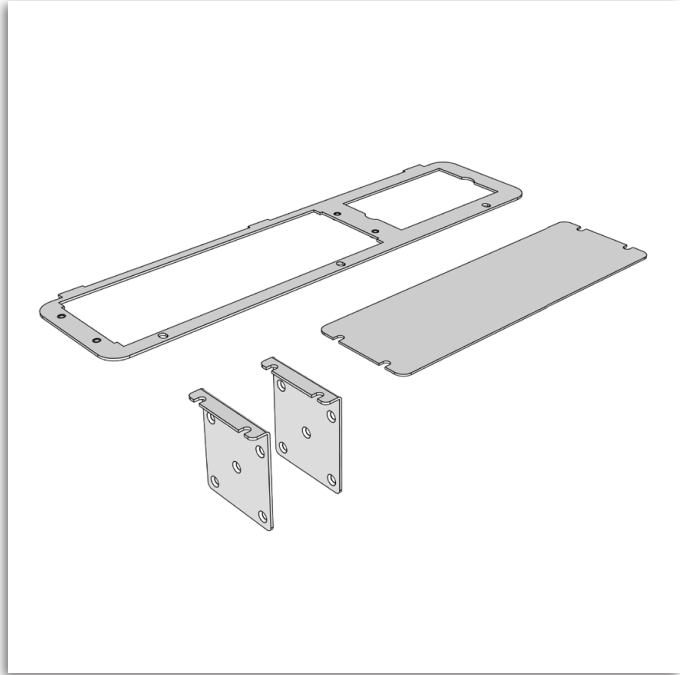
— PART OF THE FRAMEWORK PLATFORM —

ACCESSORIES

PART NAME
MOUNTING KIT - AC POWER

PART NUMBER
PCF-MK-PWR

DESCRIPTION
 This item is a mounting kit designed to provide options for locating AC power in the bottom of the PictureFrame Back Box. It includes a powder coated steel frame with a removable plate, and 2 WattBox mounting brackets. The Kit can be used as is by installing a standard EZ electrical box, receptacle and cover plate in the provided opening. In addition, you can remove the blank plate and use the included brackets to securely mount a WattBox WB-300VB-IP-5 power distribution product in the bottom of the Back Box.



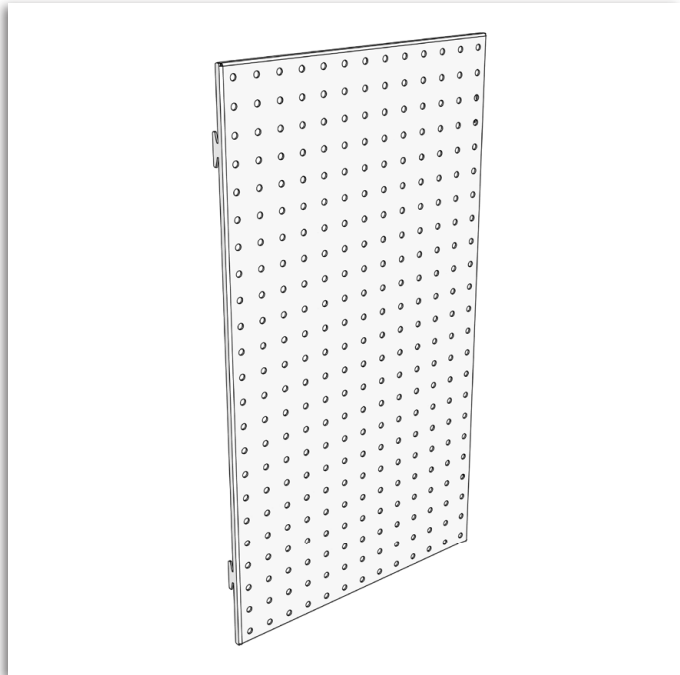
SPECIFICATIONS

Includes	(1) Power Mounting Panel (1) Blank Cover Panel (2) WattBox Mounting Brackets (1) Package of Fasteners
Finish	White Powder Coat
Material	16GA Cold Rolled Steel
Material (Blank Cover Panel)	20GA Cold Rolled Steel
Dimensions	
Power Mounting Panel	13.85"L x 3.54"W x 0.13"TH
Blank Cover Panel	8.82"L x 2.79"W x 0.04"TH
WattBox Mounting Bracket	0.45"W x 2.55"H x 2.18"D

PART NAME
EQUIPMENT MOUNTING PANEL - MEDIUM

PART NUMBER
PCF-EMP-MD

DESCRIPTION
 The PictureFrame Equipment Mounting Panel (Medium) is available to order separately for added device mounting capacity in any PictureFrame Back Box. The removable panel can be used to mount A/V Sources, HDMI signal extenders, Automation processors, a Samsung FRAME One-Connect box, or similar devices. The PCF-EMP-MD is removable, allowing off-site device mounting, wiring and system testing prior to installation on site. It features a hole pattern designed for use with our Universal Mounting Kits. This kit includes 2 sets each of the Small and Medium Mounting Kits, and 1 set of the Large Mounting Kit, but **additional Universal Mounting Kits can be purchased separately if needed.**



SPECIFICATIONS

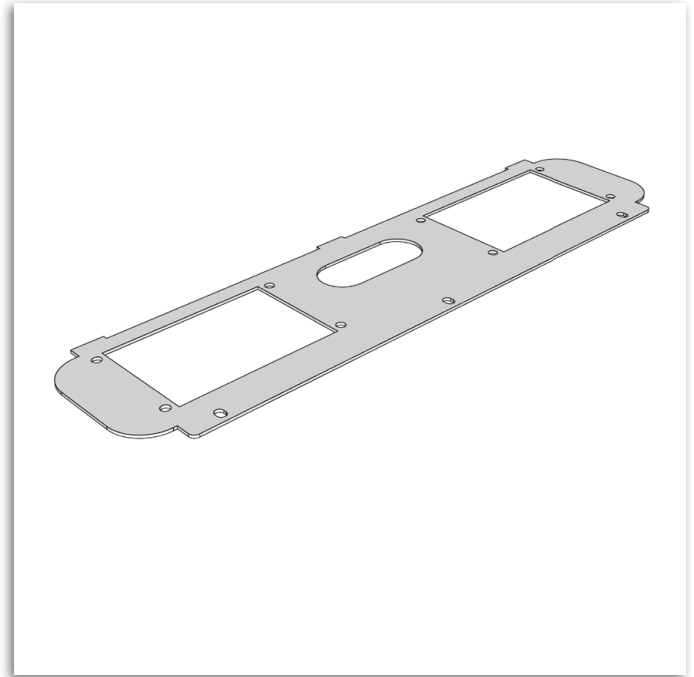
Includes	(1) Equipment Mounting Panel (2) SM Mounting Kits (2) MD Mounting Kits (1) LG Mounting Kit
Finish	White Powder Coat
Material	16GA Cold Rolled Steel
Dimensions	13.00"W x 23.00"H x 0.61"D

PART NAME**CABLE ENTRY COVER - FOR PASS THROUGH PLATES****PART NUMBER****PCF-CEC-PTP****DESCRIPTION**

This optional accessory is designed to be mounted in the top of the PictureFrame Back Box. It includes three separate openings for managing/terminating low voltage cabling. Two of the openings accept standard FrameWork Pass-Through-Plates, allowing the termination and testing of system cabling prior to final system installation. If only one of these openings is used for terminations, the other can be sealed using a Blank PTP (RKF-PTP-BNK). A third center opening provides additional cable pathway capacity if needed.

SPECIFICATIONS

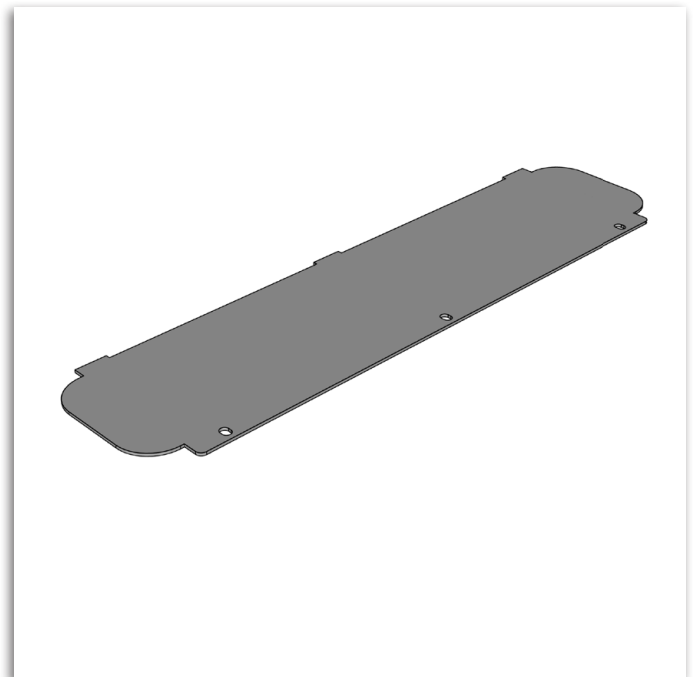
Includes	(1) Cable Entry Cover (1) Package of Fasteners
Finish	White Powder Coat
Material	16GA Cold Rolled Steel
Dimensions	13.85"L x 3.54"W x 0.06"TH

**PART NAME****CABLE ENTRY COVER - BLANK - 14"W****PART NUMBER****FWA-CEC-BNK-14****DESCRIPTION**

This optional accessory is designed to be mounted in the top of the PictureFrame Back Box. Once installed, it closes the top and/or bottom of the Back Box ensuring that any dust/insulation/debris present inside the wall cavity does not enter the Back Box. It also provides a solid surface for connecting conduit(s) as required in some applications. This accessory would typically be used in any Back Box that does not have LV cabling enter through the top, such as in multi-panel installations.

SPECIFICATIONS

Compatible Products	PCF-RI-MD RKF-RI-SM
Includes	(1) Cable Entry Cover (1) Pack of Fasteners
Finish/Material	Bare / 14GA Aluminum
Dimensions	13.85"W x 3.54"D

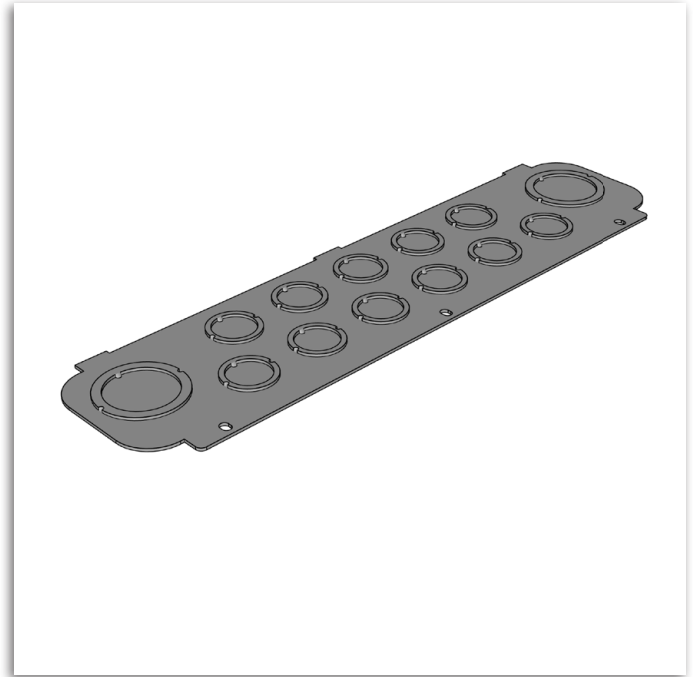


PART NAME**CABLE ENTRY COVER -
CONDUIT KO - 14"W****PART NUMBER****FWA-CEC-CKO-14****DESCRIPTION**

This optional accessory is designed to be mounted in the top of the PictureFrame Back Box. This cover plate provides a number of conduit knock-outs for connecting rigid metal conduit (EMT) or flexible conduit ("Smurf Tube") as required in some applications.

SPECIFICATIONS

Compatible Products	PCF-RI-MD RKF-RI-SM
Conduit KOs	(11) 1/2" & 3/4" Double KO (2) 1" & 1-1/4" Double KO
Includes	(1) Cable Entry Cover (1) Pack of Fasteners
Finish/Material	Bare / 16GA Galvanized Steel
Dimensions	13.85"W x 3.54"D



PICTUREFRAME™

— PART OF THE FRAMEWORK PLATFORM —

PASS THROUGH PLATES

PART NAME

PASS THROUGH PLATE - CAT 6

PART NUMBER

RKF-PTP-C6

DESCRIPTION

The CAT6 Pass Through Plate provides termination points for unshielded CAT6 cabling. Applications can include: Ethernet and PoE networking, video and audio extension, and low voltage control distribution.

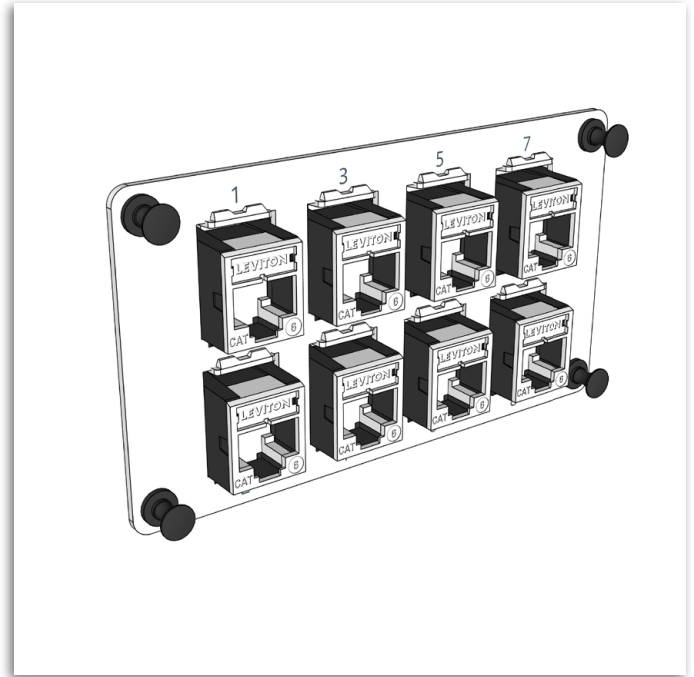
IMPORTANT: CAT6 Pass Through Plates do NOT include color indicators. These are sold separately in the colors listed below.

FRAMEWORK COLOR CODING STANDARDS

- Blue Insert (Part No. RKF-PTP-CCI-BLU) - A/V Distribution
- Gray Insert (Part No. RKF-PTP-CCI-GRY) - Networking
- Yellow Insert (Part No. RKF-PTP-CCI-YLW) - PoE
- White Insert (Part No. RKF-PTP-CCI-WHT) - Multi-use (IR, I/O, CC, Serial)

SPECIFICATIONS

- Connections (8) RJ45 8P8C - **WHITE**
- Finish/Material White Powder Coat / 16GA Cold Rolled Steel
- Dimensions 4.25"W x 2.38"H x 1.37"D



PART NAME

PASS THROUGH PLATE - CAT 6 SHIELDED

PART NUMBER

RKF-PTP-C6SH

DESCRIPTION

The CAT6 Shielded Pass Through Plate provides termination points for shielded CAT6 cabling. Applications can include: Ethernet and PoE networking, video and audio extension, and low voltage control distribution.

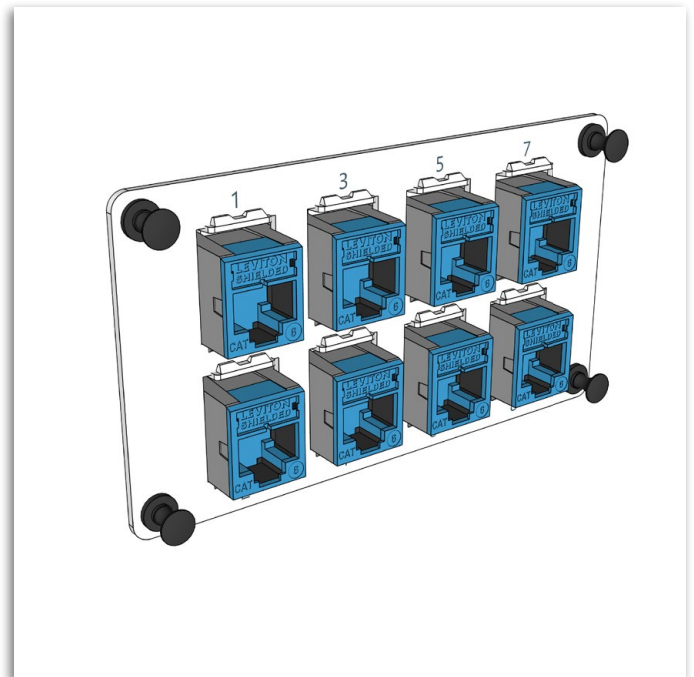
IMPORTANT: CAT6 Pass Through Plates do NOT include color indicators. These are sold separately in the colors listed below.

FRAMEWORK COLOR CODING STANDARDS

- Blue Insert (Part No. RKF-PTP-CCI-BLU) - A/V Distribution
- Gray Insert (Part No. RKF-PTP-CCI-GRY) - Networking
- Yellow Insert (Part No. RKF-PTP-CCI-YLW) - PoE
- White Insert (Part No. RKF-PTP-CCI-WHT) - Multi-use (IR, I/O, CC, Serial)

SPECIFICATIONS

- Connections (8) RJ45 8P8C, Shielded - **BLUE**
- Finish/Material White Powder Coat / 16GA Cold Rolled Steel
- Dimensions 4.25"W x 2.38"H x 1.37"D



PART NAME

PASS THROUGH PLATE - CAT 6A

PART NUMBER

RKF-PTP-C6A

DESCRIPTION

The CAT6A Pass Through Plate provides termination points for unshielded CAT6A cabling. Applications can include: Ethernet and PoE networking, video and audio extension, and low voltage control distribution.

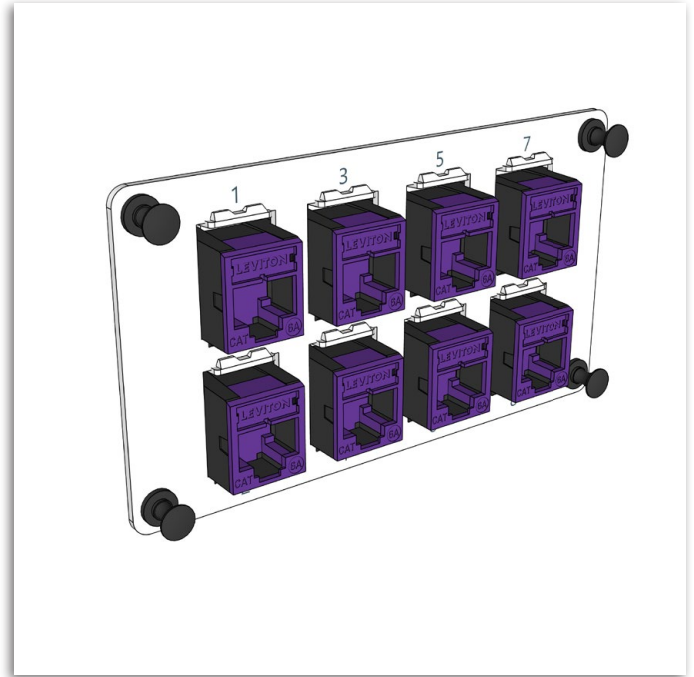
IMPORTANT: CAT6 Pass Through Plates do NOT include color indicators. These are sold separately in the colors listed below.

FRAMEWORK COLOR CODING STANDARDS

- Blue Insert (Part No. RKF-PTP-CCI-BLU) - A/V Distribution
- Gray Insert (Part No. RKF-PTP-CCI-GRY) - Networking
- Yellow Insert (Part No. RKF-PTP-CCI-YLW) - PoE
- White Insert (Part No. RKF-PTP-CCI-WHT) - Multi-use (IR, I/O, CC, Serial)

SPECIFICATIONS

Connections	(8) RJ45 8P8C - PURPLE
Finish/Material	White Powder Coat / 16GA Cold Rolled Steel
Dimensions	4.25"W x 2.38"H x 1.37"D



PART NAME

PASS THROUGH PLATE - DISTRIBUTED AUDIO - 8 ZONE

PART NUMBER

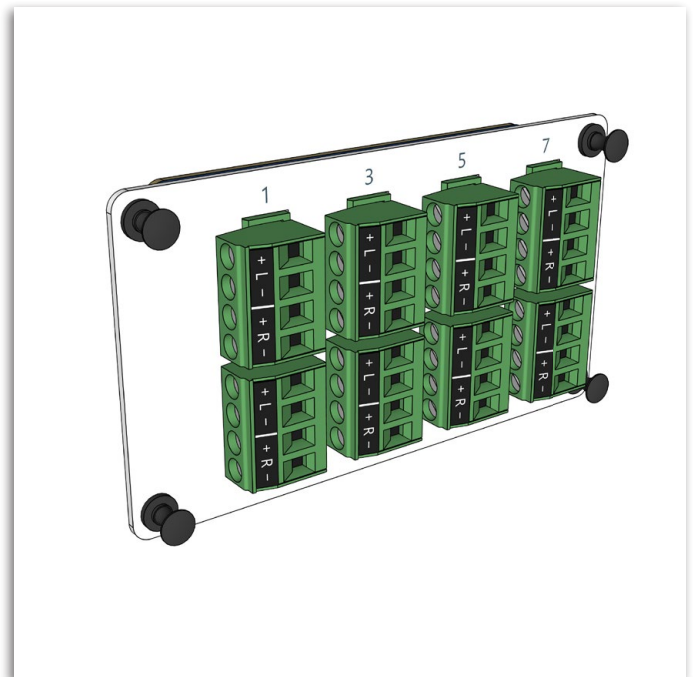
RKF-PTP-DA-8

DESCRIPTION

This Pass Through Plate provides termination points for different applications. These PTP's are typically used for terminating L&R speaker level audio, but can also be used for any application using 2, 3 or 4 wire cabling. The connectors accept 12 to 24 AWG cabling.

SPECIFICATIONS

Connections	(8) Genuine Phoenix Contact Screw Terminal Connections with Tension Sleeve
Clamping Range	12-24 AWG
Wire Stripping Length	1/4" (Front Screw Connectors) 5/16" (Back Screw Connections)
Includes	(8) Genuine Phoenix Contact 4-Position Connectors
Finish/Material	White Powder Coat / 16GA Cold Rolled Steel
Dimensions	4.25"W x 2.38"H x 1.66"D



PART NAME

PASS THROUGH PLATE - HOME CINEMA - LCR & SURR. CHANNELS

PART NUMBER

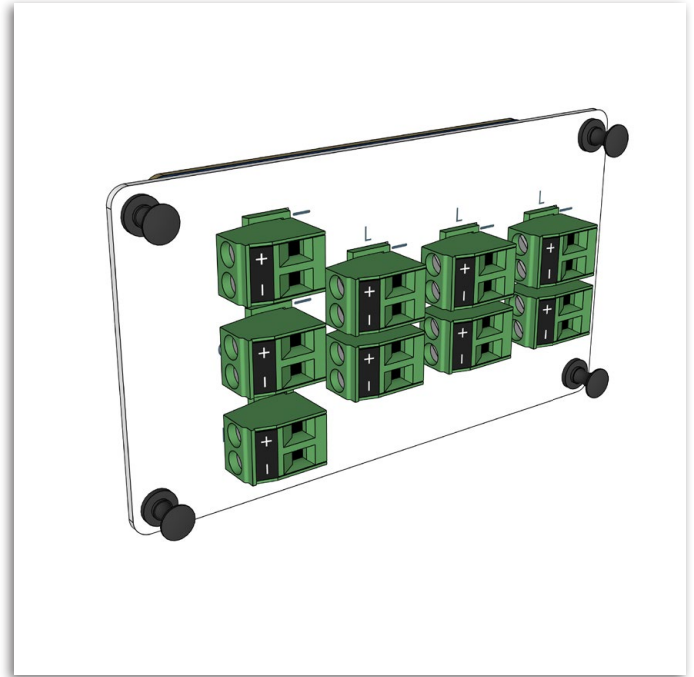
RKF-PTP-HCIN

DESCRIPTION

The Home Cinema LCR and Surround Sound Speaker Pass Through Plate provides termination points for a Multi-Channel, Home Cinema and or Surround Sound audio applications. This Plate allows for up to 9 discrete speaker channel connections using 12 to 24 AWG cabling.

SPECIFICATIONS

Connections	(9) Genuine Phoenix Contact Screw Terminal Connections with Tension Sleeve
Clamping Range	12-24 AWG
Wire Stripping Length	1/4" (Front Screw Connectors) 5/16" (Back Screw Connections)
Includes	(9) Genuine Phoenix Contact 2-Position Connectors
Finish/Material	White Powder Coat / 16GA Cold Rolled Steel
Dimensions	4.25"W x 2.38"H x 1.66"D



PART NAME

PASS THROUGH PLATE - TERMINAL BLOCK - 2-POSITION

PART NUMBER

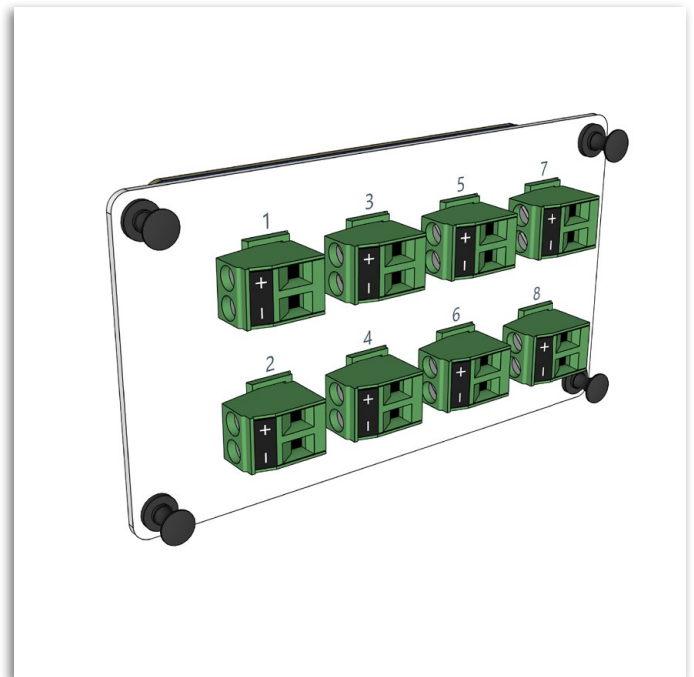
RKF-PTP-TB-2P

DESCRIPTION

This Pass Through Plate provides termination points for 2-wire connections of many types. Applications include, IR, Dry Contact Closure, 8 Ohm or 70V audio signals, Low Voltage power connections, etc. The 2-position connectors accept 12 to 24 AWG cabling.

SPECIFICATIONS

Connections	(8) Genuine Phoenix Contact Screw Terminal Connections with Tension Sleeve
Clamping Range	12-24 AWG
Wire Stripping Length	1/4" (Front Screw Connectors) 5/16" (Back Screw Connections)
Includes	(8) Genuine Phoenix Contact 2-Position Connectors
Finish/Material	White Powder Coat / 16GA Cold Rolled Steel
Dimensions	4.25"W x 2.38"H x 1.66"D



PART NAME

PASS THROUGH PLATE - BLANK

PART NUMBER

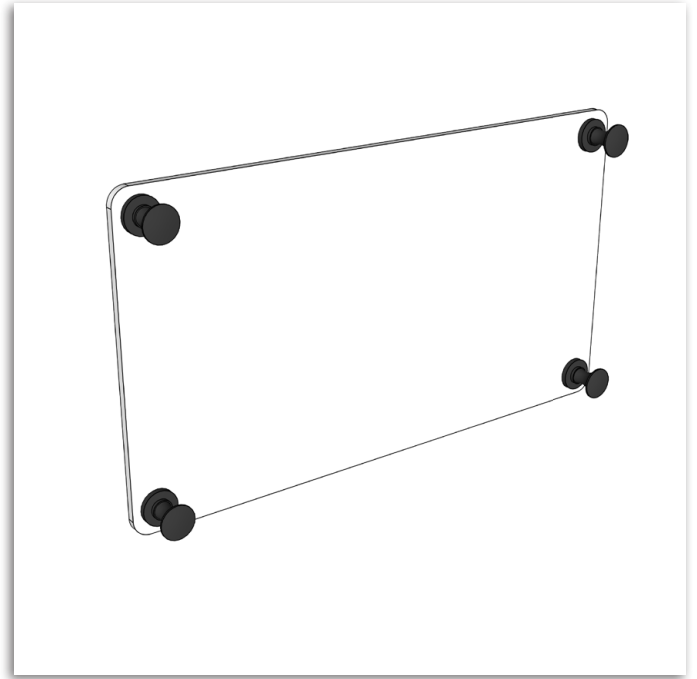
RKF-PTP-BNK

DESCRIPTION

The Blank Pass Through Plate is used to populate any unused PTP locations on a PictureFrame Pass Through Plate Cable Entry Cover (PCF-CEC-PTP).

SPECIFICATIONS

Finish/Material White Powder Coat / 16GA Cold Rolled Steel
Dimensions 4.25"W x 2.38"H x 0.63"D



PICTUREFRAME™

— PART OF THE FRAMEWORK PLATFORM —

SUPPLEMENTAL INFORMATION

PICTUREFRAME PRODUCT LIST (ALPHABETICAL ORDER)

PCF-CEC-PTP----- PCF - CABLE ENTRY COVER - FOR PASS THROUGH PLATES
 PCF-EMP-MD.v1 ----- PCF - EQUIPMENT MOUNTING PANEL - MEDIUM
 PCF-MK-PWR ----- PCF - MOUNTING KIT - AC POWER
 PCF-RI-MD ----- PCF - ROUGH-IN KIT - MEDIUM
 PCF-TRIM-MD-EXP ----- PCF - TRIM KIT - MEDIUM - EXPANSION KIT
 PCF-TRIM-MD-PS40 ----- PCF - TRIM KIT - MEDIUM - FOR PS40 PULL-OUT BRACKET

COMPATIBLE FRAMEWORK PRODUCTS

FWA-CEC-BNK-14 ----- FWA - CABLE ENTRY COVER - BLANK - 14"W
 FWA-CEC-CKO-14 ----- FWA - CABLE ENTRY COVER - CONDUIT KNOCK-OUTS - 14"W
 RKF-PTP-BNK ----- KF - PASS THROUGH PLATE - BLANK
 RKF-PTP-C6 ----- RKF - PASS THROUGH PLATE - CAT 6
 RKF-PTP-C6A----- RKF - PASS THROUGH PLATE - CAT 6A
 RKF-PTP-C6SH ----- RKF - PASS THROUGH PLATE - CAT 6 SHIELDED
 RKF-PTP-CCI-BLK ----- RKF - PASS THROUGH PLATE - CAT 6 COLOR INSERTS - BLACK
 RKF-PTP-CCI-BLU ----- RKF - PASS THROUGH PLATE - CAT 6 COLOR INSERTS - BLUE
 RKF-PTP-CCI-GRN ----- RKF - PASS THROUGH PLATE - CAT 6 COLOR INSERTS - GREEN
 RKF-PTP-CCI-GRY ----- RKF - PASS THROUGH PLATE - CAT 6 COLOR INSERTS - GRAY
 RKF-PTP-CCI-ORG ----- RKF - PASS THROUGH PLATE - CAT 6 COLOR INSERTS - ORANGE
 RKF-PTP-CCI-PRL ----- RKF - PASS THROUGH PLATE - CAT 6 COLOR INSERTS - PURPLE
 RKF-PTP-CCI-RED ----- RKF - PASS THROUGH PLATE - CAT 6 COLOR INSERTS - RED
 RKF-PTP-CCI-WHT ----- RKF - PASS THROUGH PLATE - CAT 6 COLOR INSERTS - WHITE
 RKF-PTP-CCI-YLW----- RKF - PASS THROUGH PLATE - CAT 6 COLOR INSERTS - YELLOW
 RKF-PTP-DA-8 ----- RKF - PASS THROUGH PLATE - DISTRIBUTED AUDIO - 8 ZONE
 RKF-PTP-HCIN ----- RKF - PASS THROUGH PLATE - HOME CINEMA - LCR & SURROUND SOUND SPEAKERS
 RKF-PTP-TB-2P----- RKF - PASS THROUGH PLATE - TERMINAL BLOCK - 2-POSITION



WARRANTY

FrameWork warrants its components to be free from manufacturing defects for a period of two years from the date of sale. FrameWork is not responsible for any incidental or consequential damages, nor does FrameWork warranty the installation of its products by the dealer.

framework-us.com

©2026 FrameWork Corp. All Rights Reserved